

NuStep[®] T4r

Recumbent Cross Trainer

SERVICE PARTS MANUAL

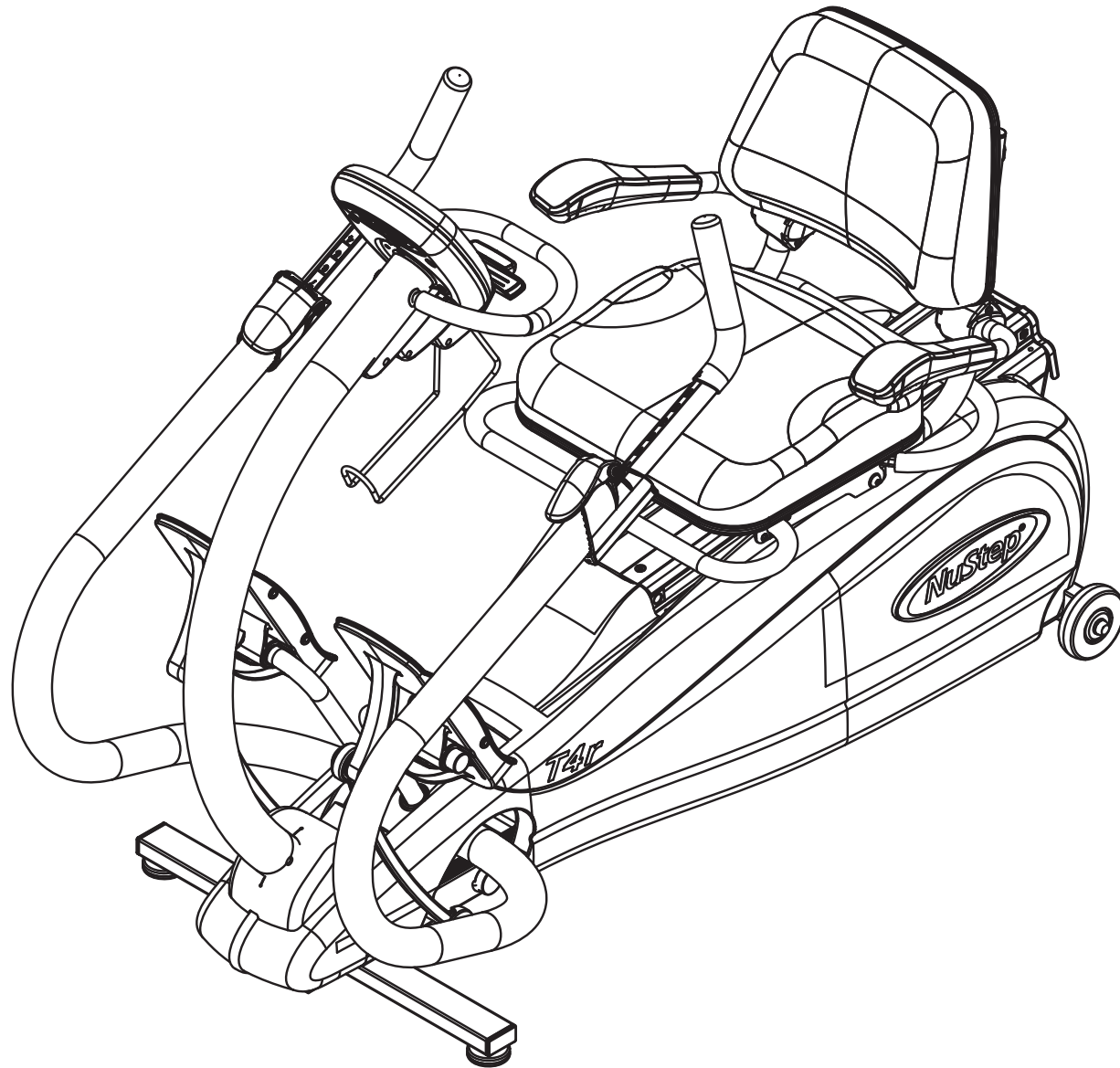


Transforming Lives[®]

Contents

T4r Assembled View	4
Groups Breakdown	5
Covers And Leveler Feet	6
Seat And Trolley	7
Seat Upper	8
Seat Lower	9
Seat Trolley	10
Arms	11
Pedals	12
Poly-V Belt, Sheave And EC Disk	13
Seat Rail	14
Pedal Castings And Connecting Links	15
Load Level Adjuster Mechanical	16
Load Level Adjuster Electrical	17
Electrical Wiring	18
Timing Belts Drivetrain	19
Pivot Disk Drivetrain	20
Console And E-tube Version 1	21
Console And E-tube Version 2	22
Console	23

T4r Assembled View



SERVICE KITS MAY INCLUDE
INSTRUCTIONS AND TOOLS



T4r PARTS MANUAL - OVERVIEW

ASSEMBLED UNIT

DRAWING

47000

REV

C

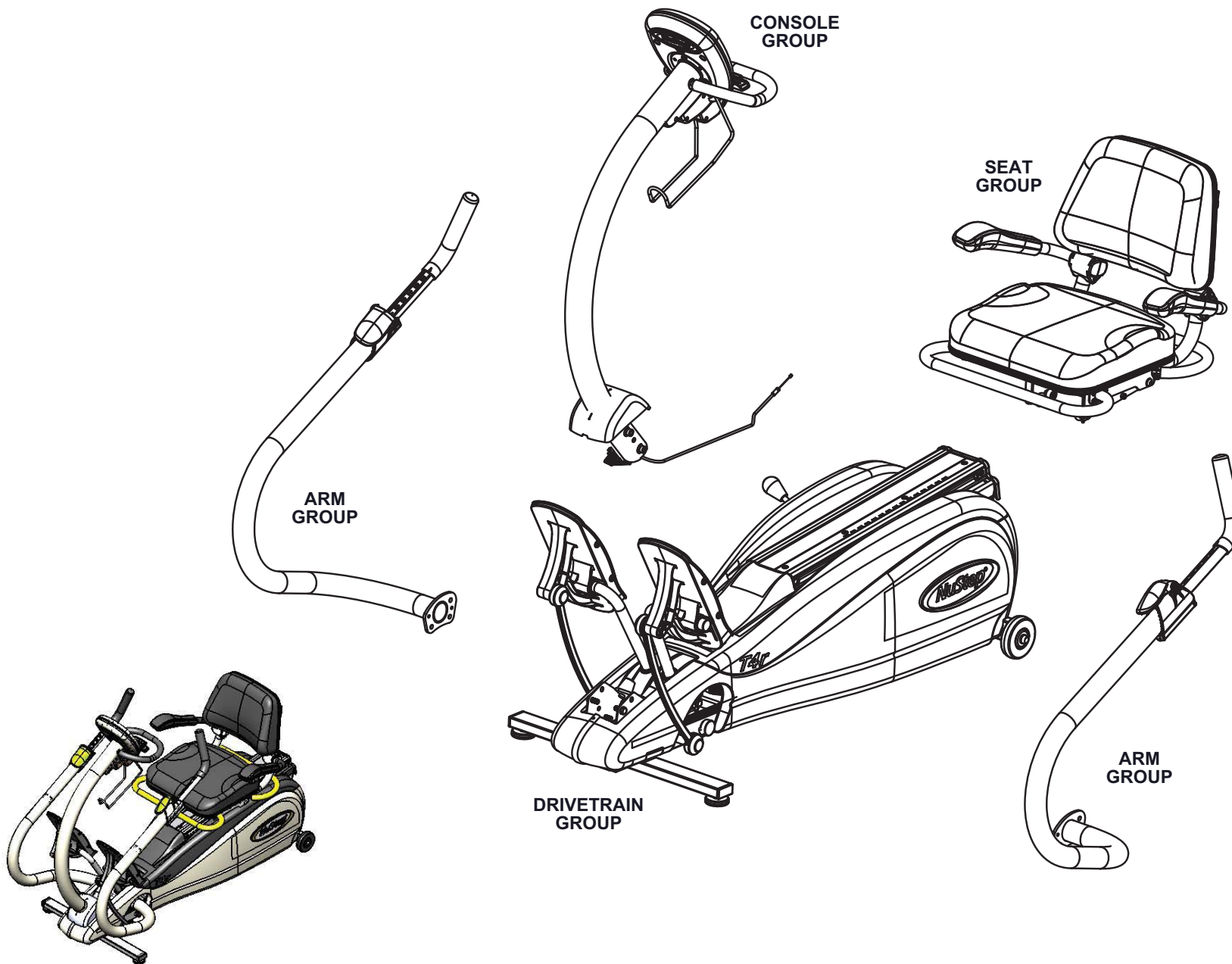
APP

RAF

RELEASE DATE

11/14/17

Groups Breakdown



SERVICE KITS MAY INCLUDE INSTRUCTIONS AND TOOLS



T4r PARTS MANUAL - OVERVIEW
GROUPS

DRAWING
47010

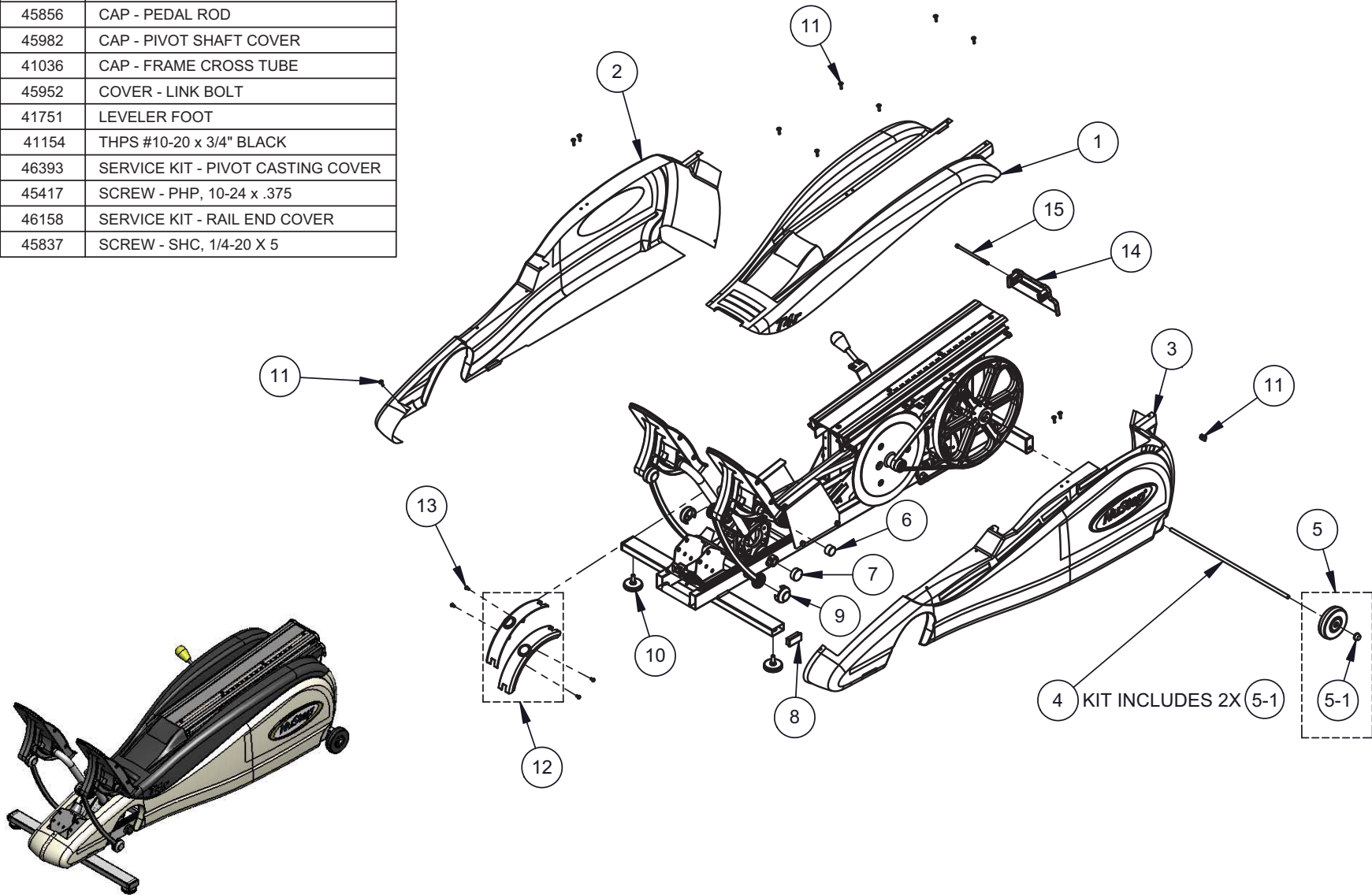
REV
C

APP
RAF

RELEASE DATE
11/14/17

Covers And Leveler Feet

ITEM NO.	PART NO.	DESCRIPTION
1	46151	SERVICE KIT - TOP COVER
2	46152	SERVICE KIT - RIGHT COVER
3	46153	SERVICE KIT - LEFT COVER
4	46128	SERVICE KIT - AXLE
5	46170	SERVICE KIT - REAR WHEEL
5-1	30141	PUSHNUT, 3/8"
6	45856	CAP - PEDAL ROD
7	45982	CAP - PIVOT SHAFT COVER
8	41036	CAP - FRAME CROSS TUBE
9	45952	COVER - LINK BOLT
10	41751	LEVELER FOOT
11	41154	THPS #10-20 x 3/4" BLACK
12	46393	SERVICE KIT - PIVOT CASTING COVER
13	45417	SCREW - PHP, 10-24 x .375
14	46158	SERVICE KIT - RAIL END COVER
15	45837	SCREW - SHC, 1/4-20 X 5



SERVICE KITS MAY INCLUDE INSTRUCTIONS AND TOOLS



T4r PARTS MANUAL - DRIVETRAIN GROUP
COVERS AND FEET

DRAWING
47600

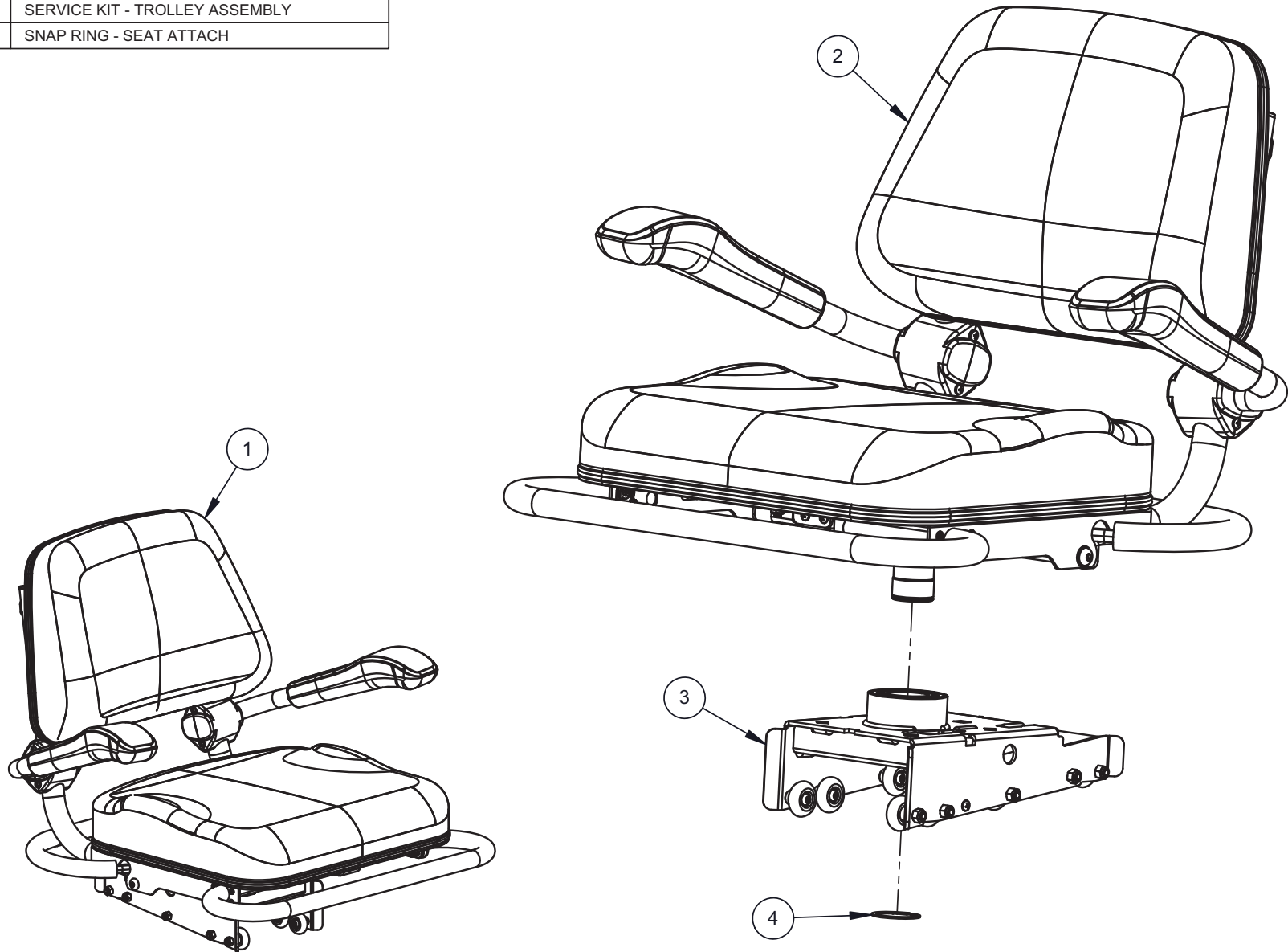
REV
C

APP
RAF

RELEASE DATE
11/14/17

Seat And Trolley

ITEM NO.	PART NO.	DESCRIPTION
1	46100	SERVICE KIT - SEAT AND TROLLEY ASSEMBLY
2	46200	SERVICE KIT - SEAT ASSEMBLY
3	46210	SERVICE KIT - TROLLEY ASSEMBLY
4	50575	SNAP RING - SEAT ATTACH



SERVICE KITS MAY INCLUDE
INSTRUCTIONS AND TOOLS



T4r PARTS MANUAL - SEAT GROUP

SEAT AND TROLLEY

DRAWING

47100

REV

C

APP

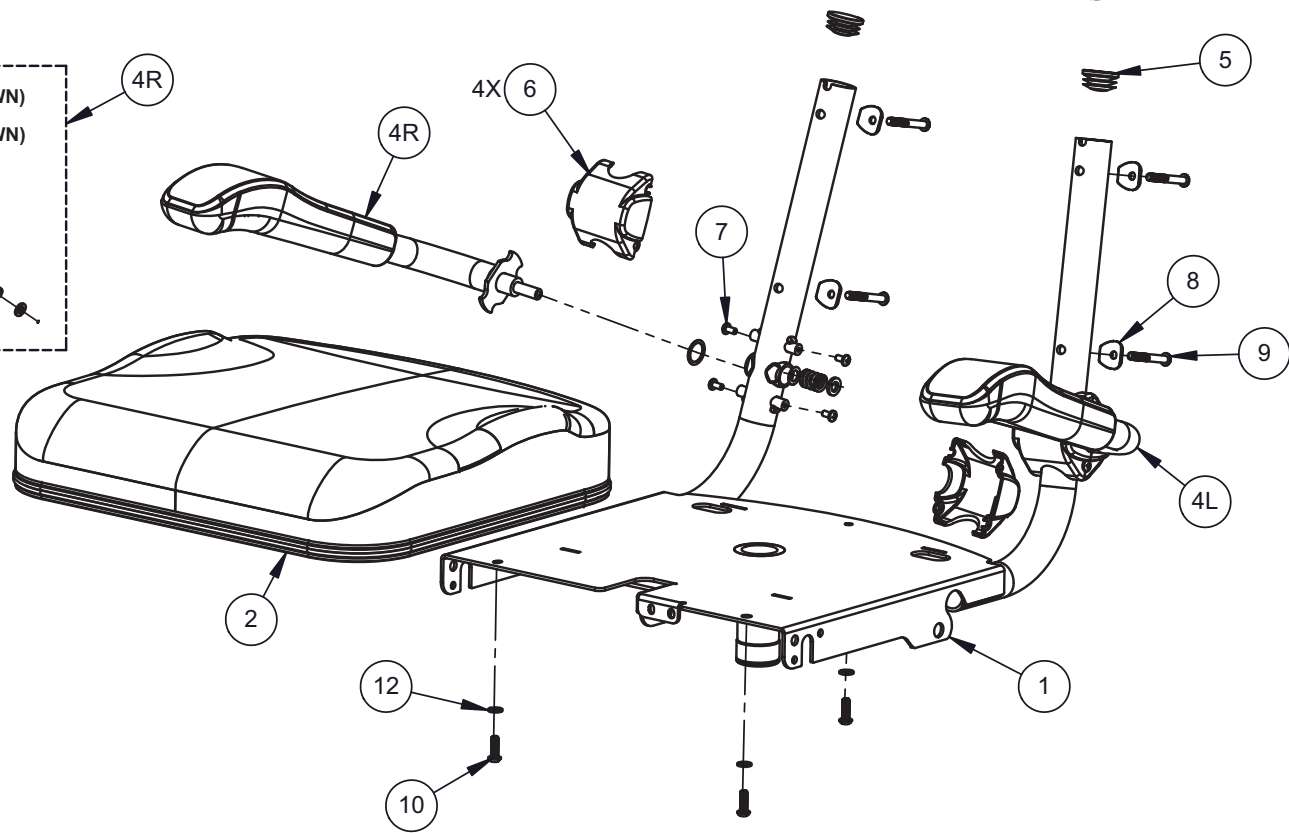
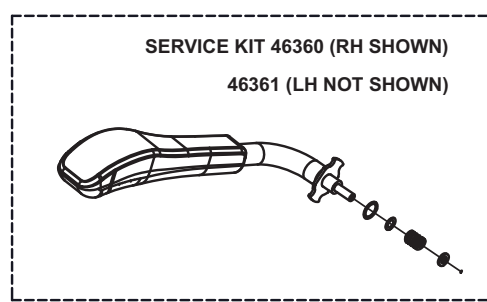
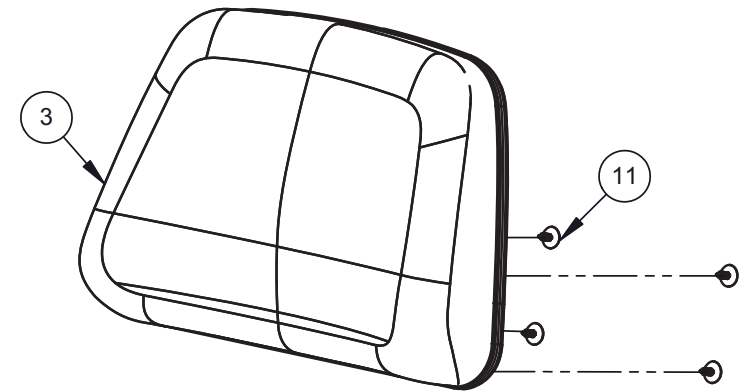
RAF

RELEASE DATE

11/14/17

Seat Upper

ITEM NO.	PART NO.	DESCRIPTION
1	46300	SERVICE KIT - SEAT FRAME WELDMNT
2	46310	SERVICE KIT - SEAT CUSHION
3	46319	SERVICE KIT - SEAT BACK
4R	46360	SERVICE KIT - RH ARMREST
4L	46361	SERVICE KIT - LH ARMREST (INCLUDES SAME FASTENERS AS RH)
5	45133	CAP - SEAT TUBE END
6	46368	SERVICE KIT - ARMREST COVERS (X4)
7	45417	SCREW - PHP, 10-24 X 3/8
8	45271	WASHER - COUNTERBORE TRIM
9	45272	SCREW - BHSC, 1/4-20 X 2.0, HEX BLACK
10	45277	SCREW - BHSC, 1/4-20 X 3/4, PATCHED
11	41727	PIN - PUSH, .190 Dia. x .750 Dia., .060 - .480 GRIP
12	45276	WASHER - 1/4 SPLIT LOCK



SERVICE KITS MAY INCLUDE INSTRUCTIONS AND TOOLS



T4r PARTS MANUAL - OVERVIEW

SEAT UPPER

DRAWING 47200

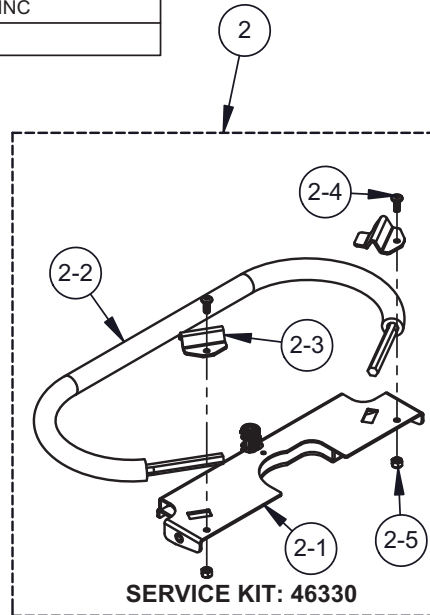
REV C

APP RAF

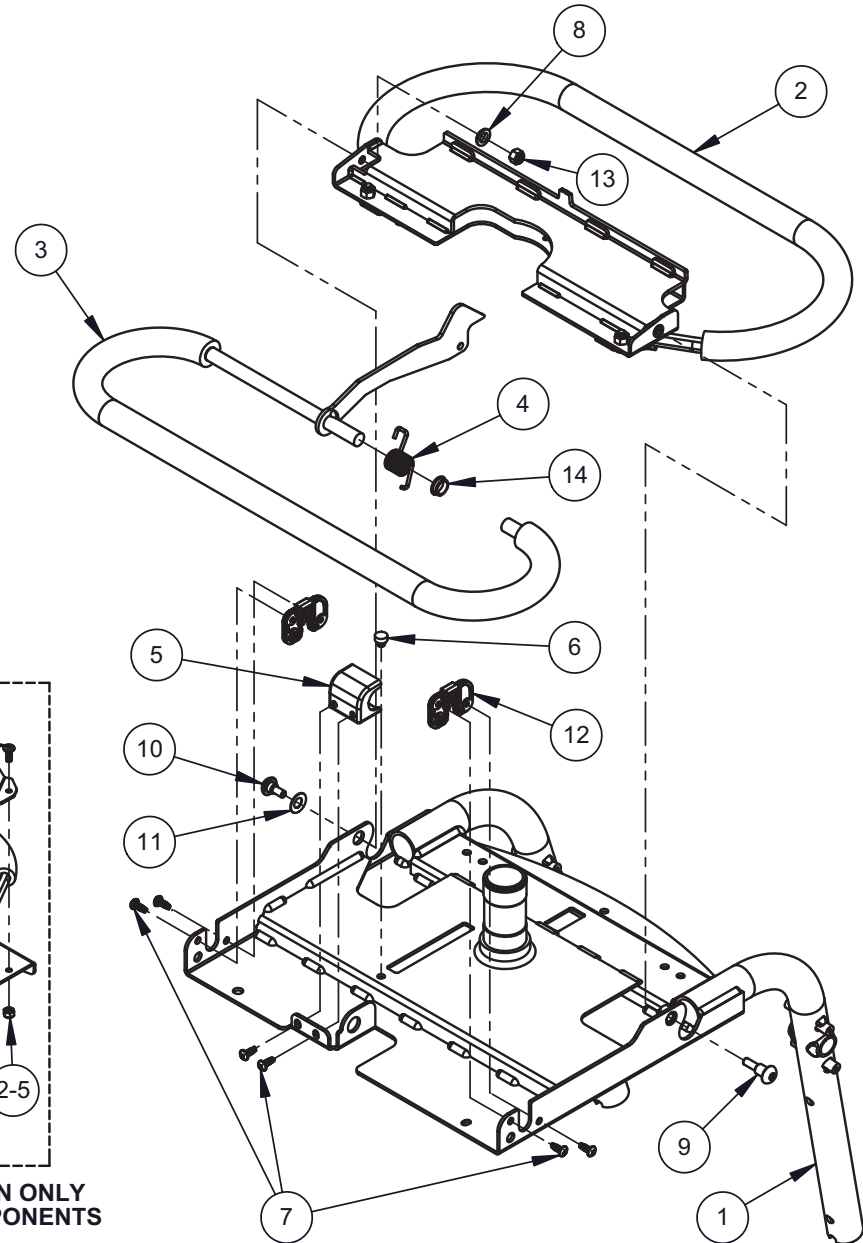
RELEASE DATE 11/14/17

Seat Lower

ITEM NO.	PART NO.	DESCRIPTION
1	46300	SERVICE KIT - SEAT FRAME WELDMENT
2	46330	SERVICE KIT - SWIVEL LATCH ASSEMBLY
2-1	46489	SERVICE KIT - SWIVEL BRACKET ASSEMBLY
2-2	46442	SERVICE KIT - SWIVEL HANDLE
2-3	45533	BRACKET - SWIVEL HANDLE
2-4	45998	SCREW - PH, 1/4-20 X 5/8, 6 LOBE
2-5	41222	NUT - NYLOCK, 1/4-20, BLACK ZINC
3	46345	SERVICE KIT - TRACK RELEASE ASM
4	45348	SPRING - HANDLE, TRACK RELEASE
5	45957	RETAINER - SEAT HANDLE
6	45964	BUMPER - TRACK RELEASE LEVER
7	45436	SCREW - PLASTITE PHP, 10-14 X 1/2
8	45441	BEARING - IGUS MFI-0608-02
9	45959	BOLT - SWIVEL PIVOT, 3/8 THD
10	45960	BOLT - SHOULDER, SWIVEL
11	45961	DISC SPRING - BELLEVILLE
12	45433	SUPPORT - TRACK RELEASE LEVER
13	41222	NUT - NYLOCK, 1/4-20, BLACK ZINC
14	45993	BEARING - IGUS, MCI-08-02



UNITS WITH SN BELOW 513751 CAN ONLY ORDER ITEM #2, NOT ITS SUB COMPONENTS



SERVICE KITS MAY INCLUDE INSTRUCTIONS AND TOOLS



T4r PARTS MANUAL - OVERVIEW

SEAT LOWER

DRAWING
47210

REV
C

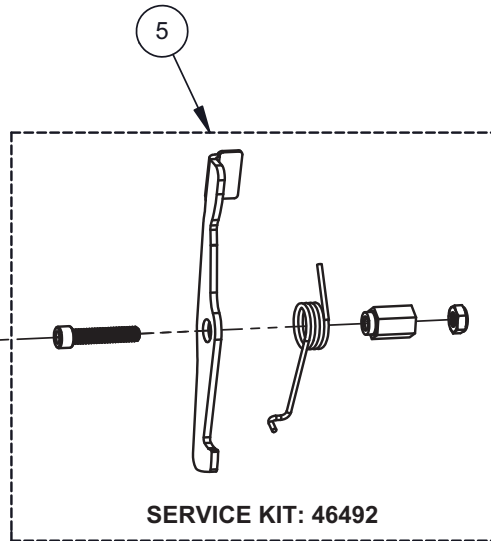
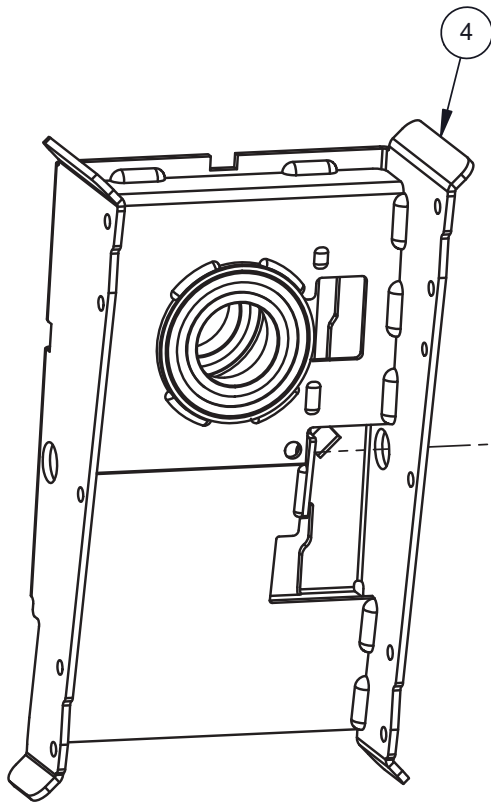
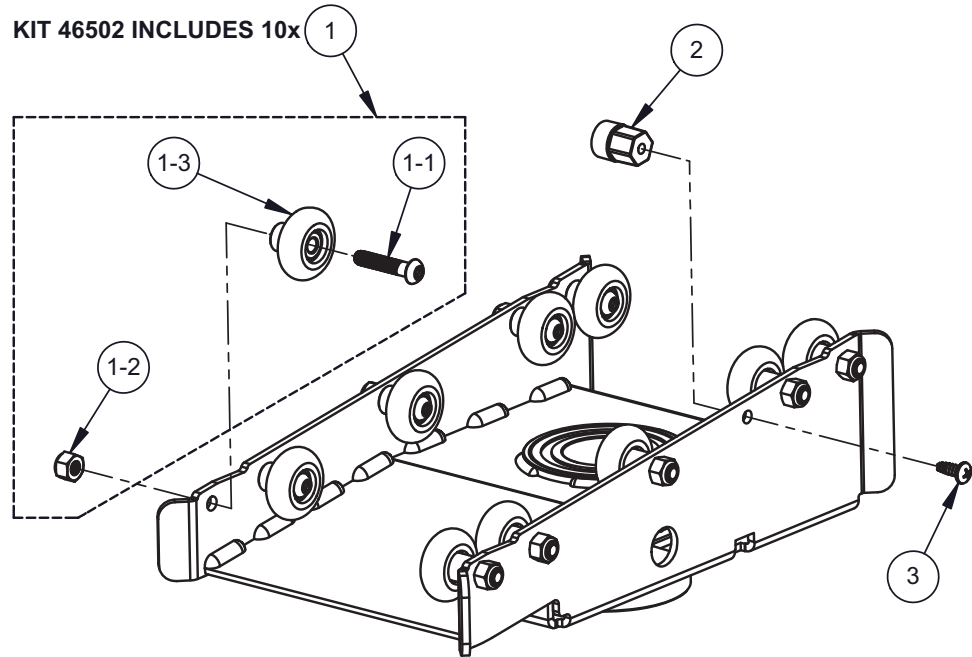
APP
RAF

RELEASE DATE
11/14/17

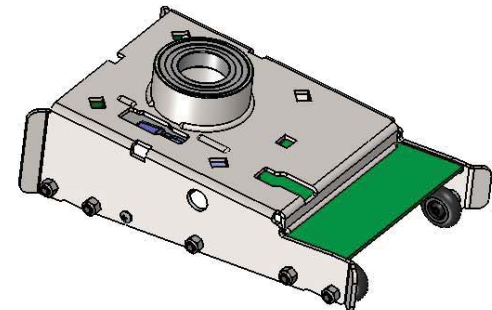
Seat Trolley

ITEM NO.	PART NO.	DESCRIPTION
1	46502	SERVICE KIT - WHEELS
1-1	41018	SCREW - BHCS G8 1/4-20 X 1-1/4
1-2	41222	NUT - NYLOCK, 1/4-20, BLACK ZINC
1-3	41502	WHEEL - SEAT
2	46906	SERVICE KIT - SPS MAGNET ASSEMBLY
3	45436	SCREW - PLASTITE PHP, 10-14 X 1/2
4	46379	SERVICE KIT - TROLLEY WELDMENT AND BEARING ASM
5	46492	SERVICE KIT - TRACK LATCH

KIT 46502 INCLUDES 10x



SERVICE KIT: 46492



SERVICE KITS MAY INCLUDE INSTRUCTIONS AND TOOLS



T4r PARTS MANUAL - SEAT GROUP
TROLLEY

DRAWING
47220

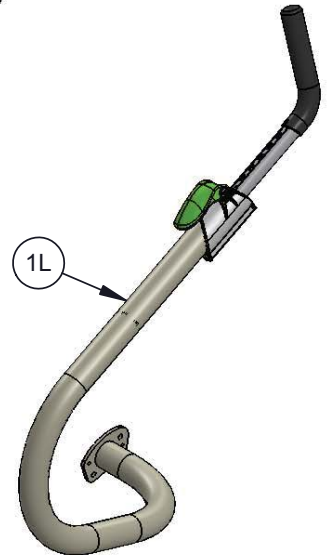
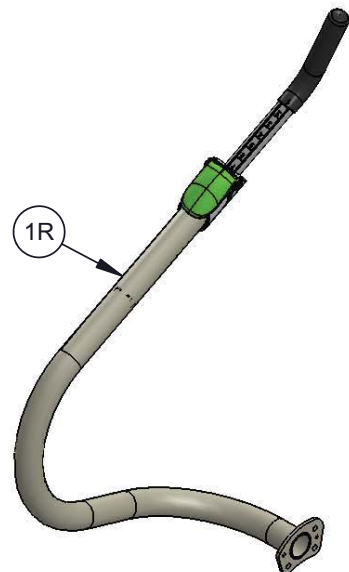
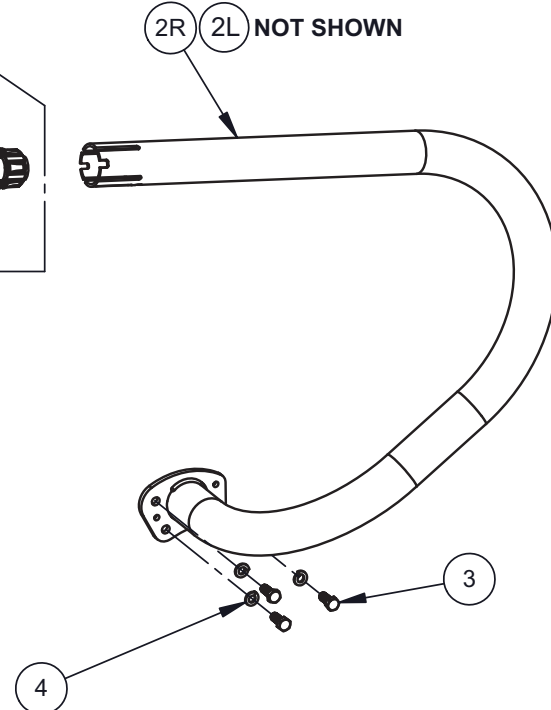
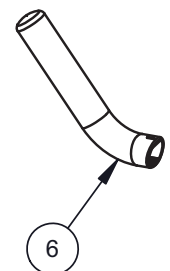
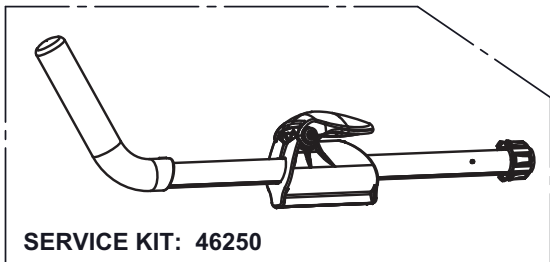
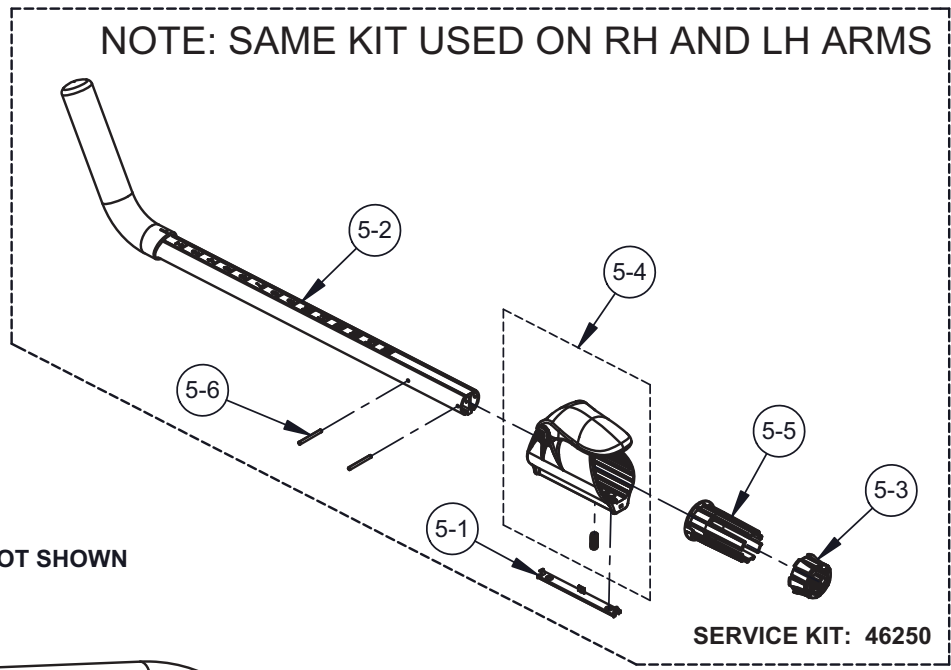
REV
C

APP
RAF

RELEASE DATE
11/14/17

Arms

ITEM NO.	PART NO.	DESCRIPTION
1R	46450	ASSEMBLY - ARM, RH
1L	46451	ASSEMBLY - ARM, LH
2R	46222	SERVICE KIT - RH LOWER ARM WELDMENT
2L	46223	SERVICE KIT - LH LOWER ARM WELDMENT
3	45853	SCREW - HH, 3/8-24 X 7/8
4	45855	WASHER - SPLIT .375
5	46250	SERVICE KIT - UPPER ARM AND ARM LOCK
5-1	50051	COVER, ARMLOCK
5-2	46369	SERVICE KIT - UPPER ARM WITH GRIP
5-3	46953	SERVICE KIT - UPPER ARM GUIDE
5-4	46639	SERVICE KIT - ARM LOCK
5-5	46955	SERVICE KIT - UPPER ARM BUSHING
5-6	45965	PIN - SPRING, COILED, .125 x 1.50
6	46358	SERVICE KIT - UPPER ARM GRIP



SERVICE KITS MAY INCLUDE INSTRUCTIONS AND TOOLS



T4r PARTS MANUAL - ARMS GROUP
ARMS

DRAWING
47400

REV
C

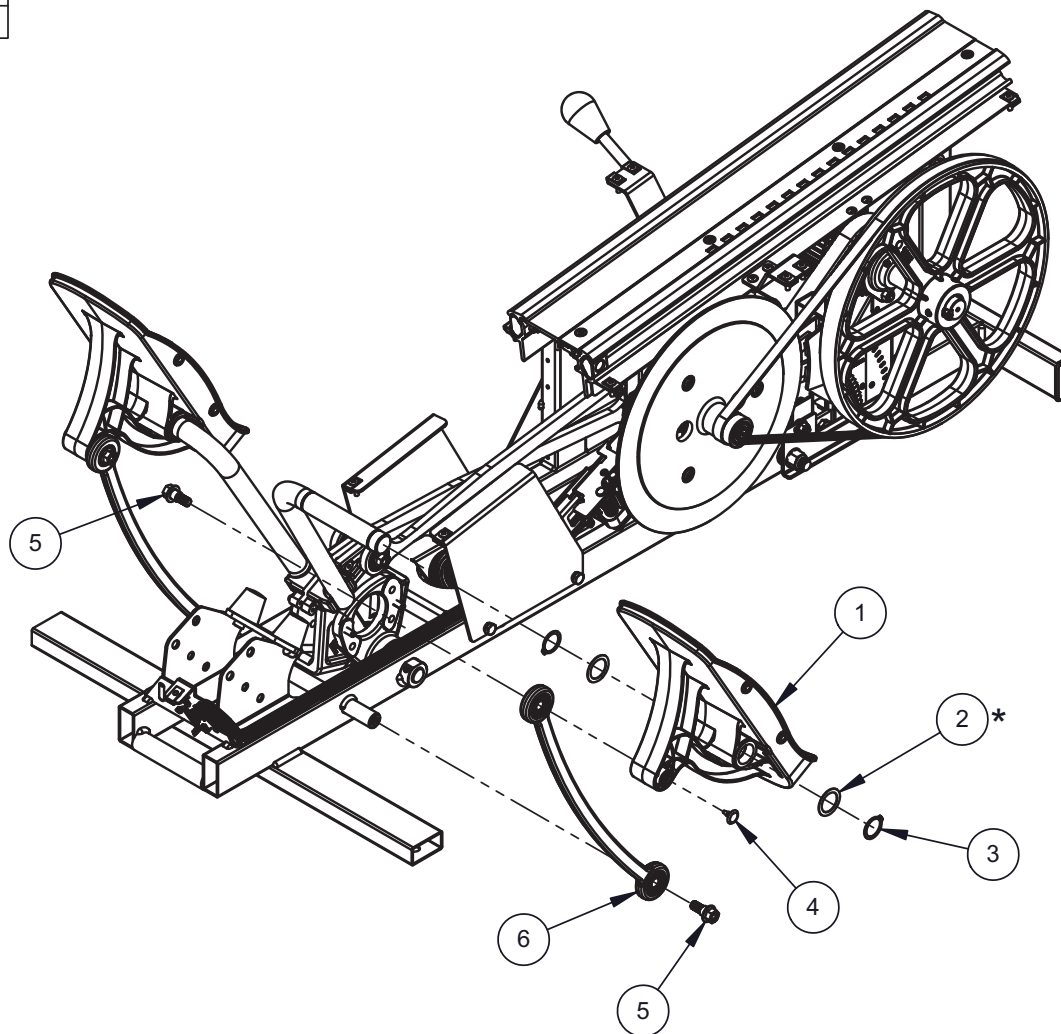
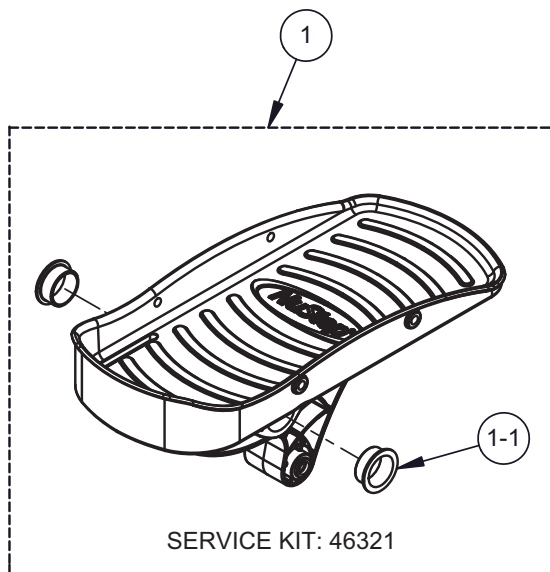
APP
RAF

RELEASE DATE
11/14/17

Pedals

ITEM NO.	PART NO.	DESCRIPTION
1	46321	SERVICE KIT - PEDAL ASSEMBLY
1-1	41004	BEARING - IGUS LFI-1618-08
2	45984	WASHER - THRUST, PEDAL
3	45926	SNAP RING - FOR 1" SHAFT
4	45954	PIN - PEDAL INSERT (COSMETIC)
5	45827	BOLT - SHOULDER, FLANGED HEX HEAD
6	46234	SERVICE KIT - PEDAL STABIZER LINK

* 2 MAY BE PRESENT IN 3 CONFIGURATIONS: 2 PER PEDAL (AS SHOWN), 1 PER PEDAL, COMPLETELY ABSENT



NOTE: SAME KIT USED ON RH AND LH

SERVICE KITS MAY INCLUDE INSTRUCTIONS AND TOOLS



T4r PARTS MANUAL - DRIVETRAIN GROUP
PEDAL DETAILS

DRAWING
47610

REV
C

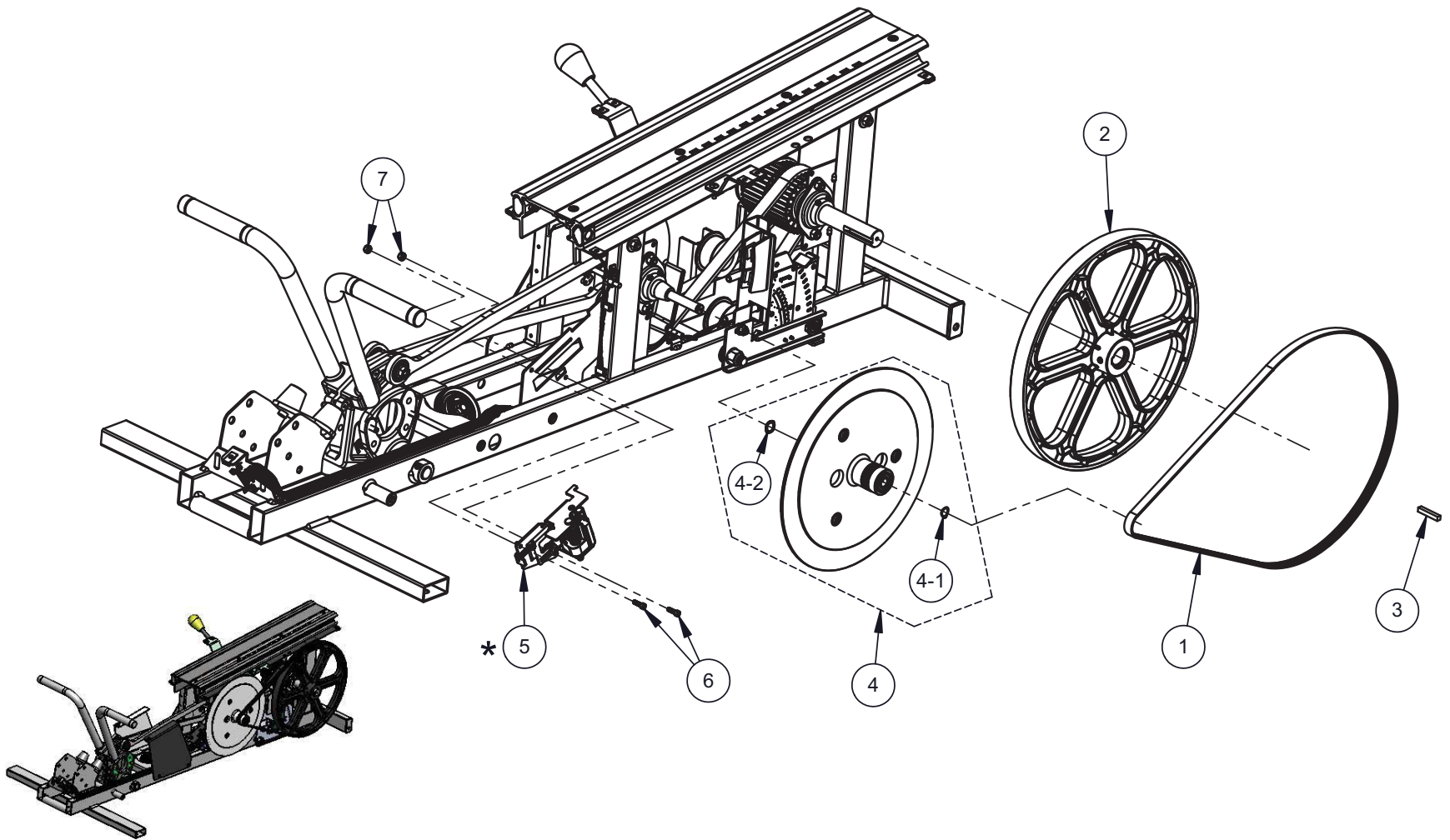
APP
RAF

RELEASE DATE
11/14/17

Poly-V Belt, Sheave And EC Disk

ITEM NO.	PART NO.	DESCRIPTION
1	46462	SERVICE KIT - POLY V - BELT
2	46407	SERVICE KIT - 14" PLASTIC SHEAVE
3	41088	MACHINE KEY 1/4 X 1/4 X 1-1/2"
4	46401	EC DISK KIT
4-1	41258	RETAINING RING - TAKEUP 1/2"
4-2	40333	WASHER - SPRING, 0.531X0.734
5	46780	SERVICE KIT - STRIDE LOCK BRAKE ASSEMBLY
6	45797	SCREW - SHC, 10-24 X 5/8
7	41082	NUT - 10-24, NYLOCK

* 5 FOR UNITS WITH SERIAL NUMBERS \geq **511738**



SERVICE KITS MAY INCLUDE
INSTRUCTIONS AND TOOLS



T4r PARTS MANUAL - DRIVETRAIN GROUP
BRAKES & WHEELS

DRAWING
47620

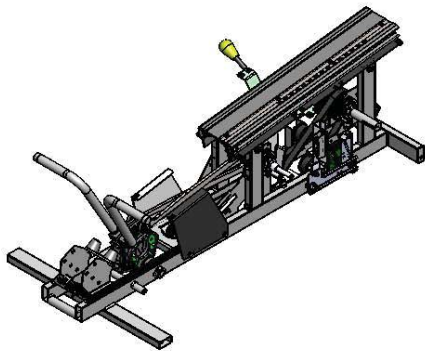
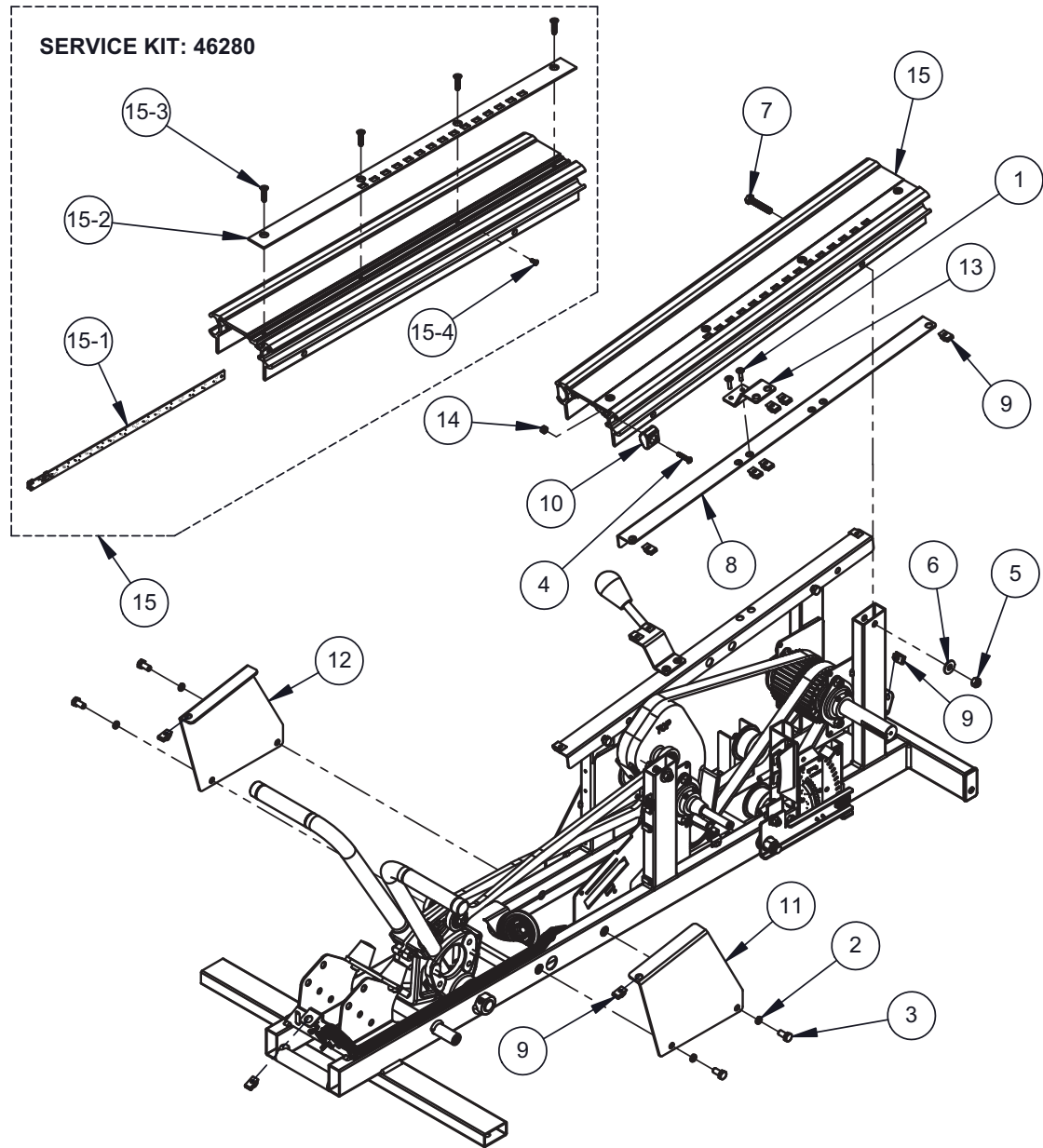
REV
C

APP
RAF

RELEASE DATE
11/14/17

Seat Rail

ITEM NO	PART NO.	DESCRIPTION
1	41154	THPS #10-24 x 3/4" BLACK
2	30109	LOCKWASHER - SPLIT 5/16"
3	30104	HHCS G5 5/16"-18 x 5/8
4	45857	BH SCREW - 10-24 X 1
5	30106	LOCKNUT NI G5 5/16"-18
6	30126	WASHER - USS 5/16"
7	41218	HHCS G5 5/16"-18 x 1-3/4
8	40144	BRACKET - ANGLE COVER MOUNT
9	41156	U-NUT #10-24
10	45154	BUMPER - RAIL, FRONT
11	40137	STEP THRU SUPPORT II LH
12	40138	STEP THRU SUPPORT II RH
13	40146	BRACKET - SIDE COVER MOUNT
14	45858	NUT - 10-24, NYLOCK
15	46280	SERVICE KIT - RAIL ASSEMBLY
15-1	46602	SERVICE KIT - SEAT POSITION SENSOR PCB
15-2	46387	SERVICE KIT - LATCH PLATE
15-3	45861	SCREW - FHSC, 1/4-20 X 1, TRI LOBE
15-4	45989	PIN - SNAP LOCK 0.125 X 0.312



SERVICE KITS MAY INCLUDE INSTRUCTIONS AND TOOLS



T4r PARTS MANUAL - DRIVETRAIN GROUP
SEAT RAIL

DRAWING
47630

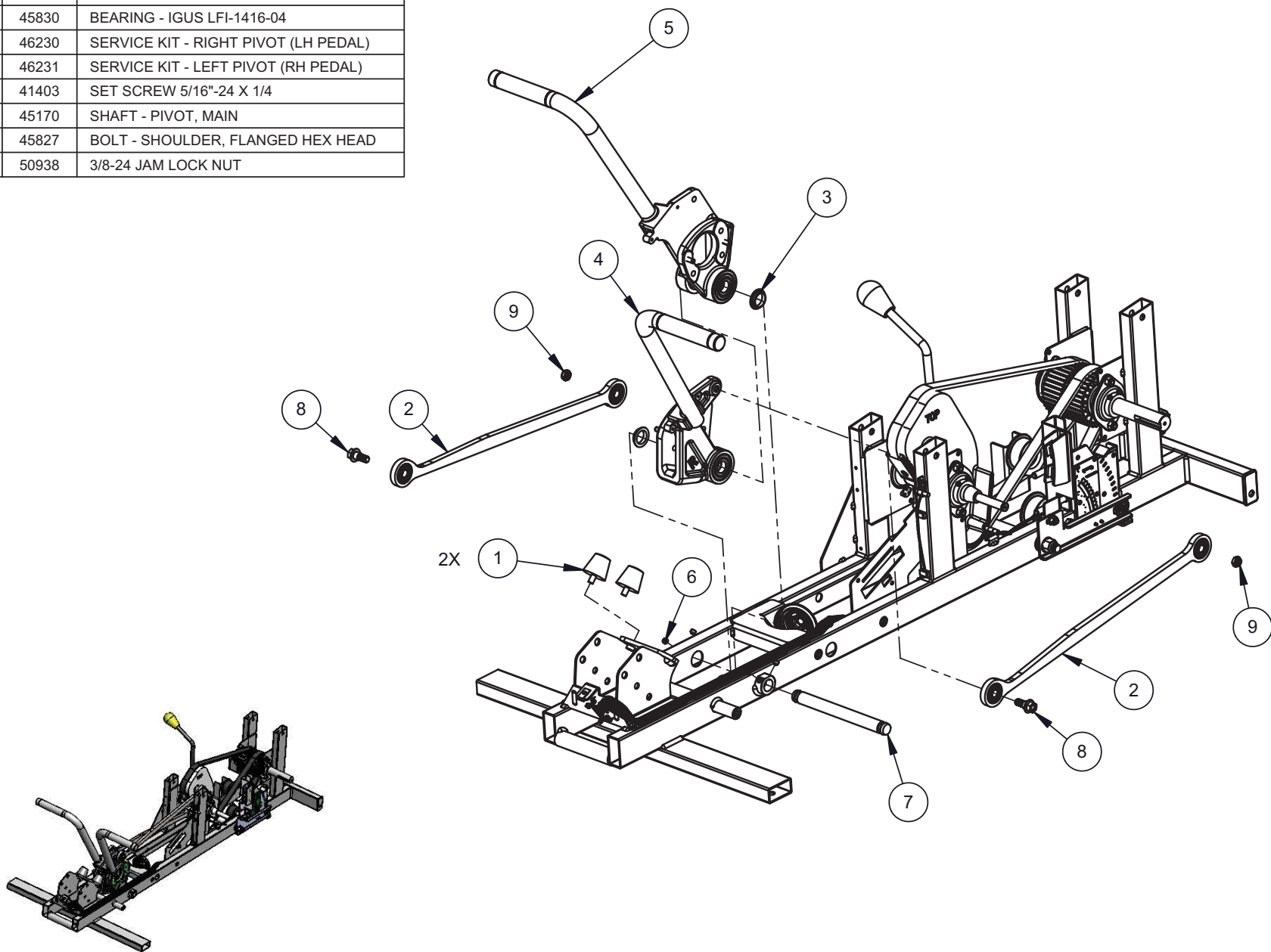
REV
C

APP
RAF

RELEASE DATE
11/14/17

Pedal Castings And Connecting Links

ITEM NO	PART NO.	DESCRIPTION
1	46027	SERVICE KIT - FOOT PEDAL BUMPER
2	46241	SERVICE KIT - CONNECTING LINK
3	45830	BEARING - IGUS LFI-1416-04
4	46230	SERVICE KIT - RIGHT PIVOT (LH PEDAL)
5	46231	SERVICE KIT - LEFT PIVOT (RH PEDAL)
6	41403	SET SCREW 5/16"-24 X 1/4
7	45170	SHAFT - PIVOT, MAIN
8	45827	BOLT - SHOULDER, FLANGED HEX HEAD
9	50938	3/8-24 JAM LOCK NUT



SERVICE KITS MAY INCLUDE INSTRUCTIONS AND TOOLS



T4r PARTS MANUAL - DRIVETRAIN GROUP
PEDAL CASTINGS

DRAWING
47640

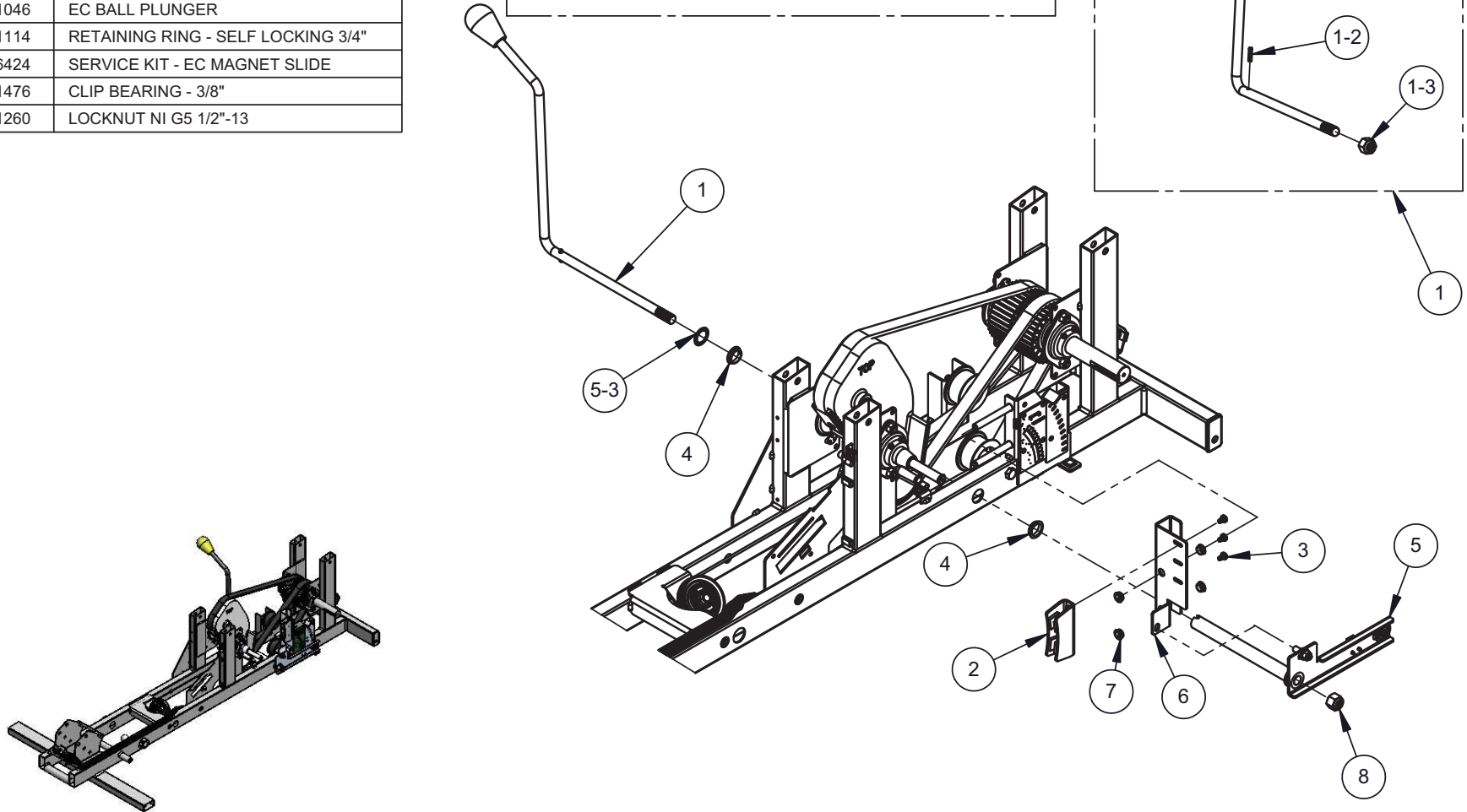
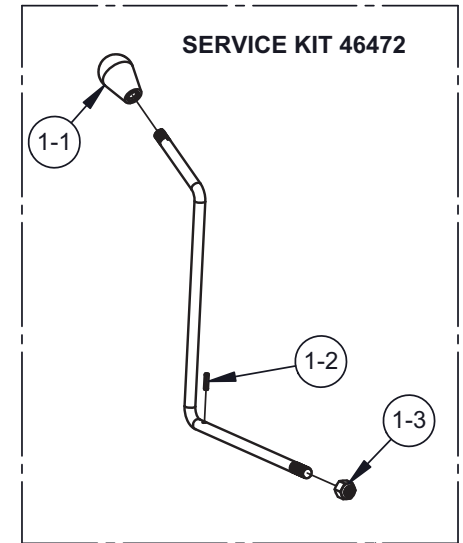
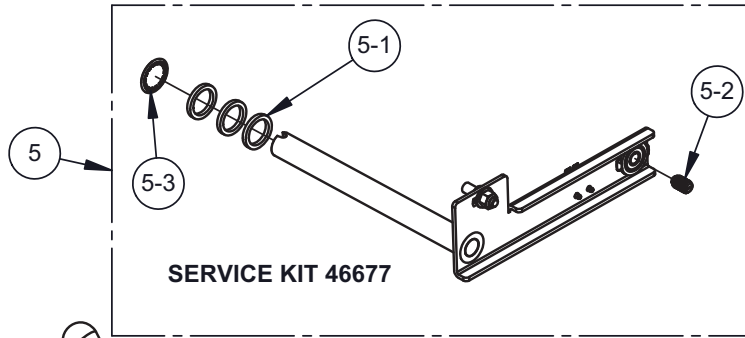
REV
C

APP
RAF

RELEASE DATE
11/14/17

Load Level Adjuster Mechanical

ITEM NO	PART NO.	DESCRIPTION
1	46472	SERVICE KIT - LOAD LEVER
1-1	41551	KNOB - LOAD LEVER, GREEN
1-2	41330	COIL PIN
1-3	41260	LOCKNUT NI G5 1/2"-13
2	46679	SERVICE KIT - EC MAGNET BRACKET
3	41100	PHPS W/EXT WASHER #10-24 X 3/8" BLK
4	41477	CLIP BEARING - 3/4"
5	46677	SERVICE KIT - PLUNGER PLATE
5-1	30333	WASHER - NYLON 0.75X1"
5-2	41046	EC BALL PLUNGER
5-3	41114	RETAINING RING - SELF LOCKING 3/4"
6	46424	SERVICE KIT - EC MAGNET SLIDE
7	41476	CLIP BEARING - 3/8"
8	41260	LOCKNUT NI G5 1/2"-13



SERVICE KITS MAY INCLUDE INSTRUCTIONS AND TOOLS



T4r PARTS MANUAL - DRIVETRAIN GROUP
LOAD ADJUSTER MECH

DRAWING
47650

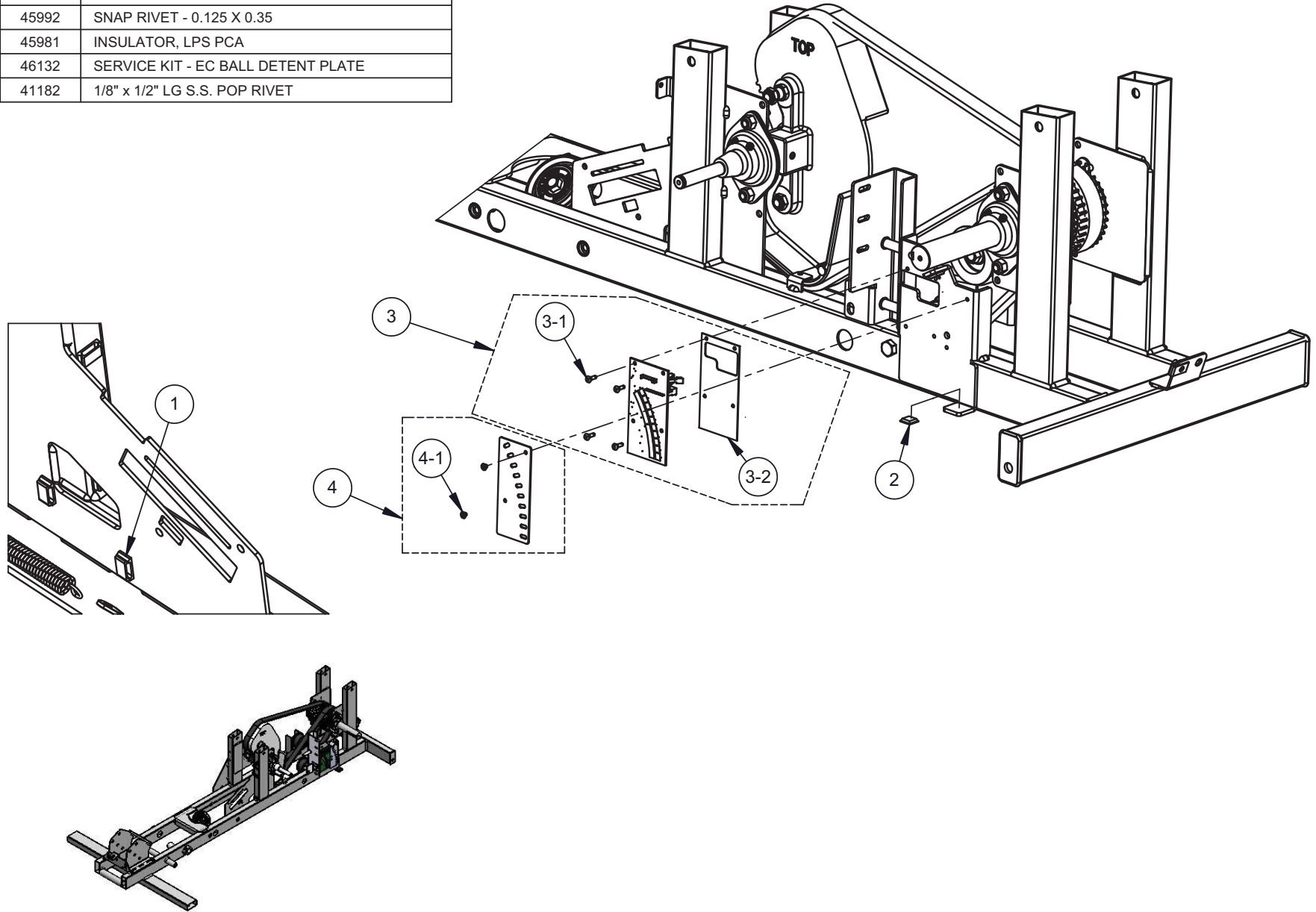
REV
C

APP
RAF

RELEASE DATE
11/14/17

Load Level Adjuster Electrical

ITEM NO.	PART NO.	DESCRIPTION
1	45977	CLIP - CABLE
2	41026	BUMPER - SMALL
3	46968	SERVICE KIT - LOAD POSITION SENSOR BOARD
3-1	45992	SNAP RIVET - 0.125 X 0.35
3-2	45981	INSULATOR, LPS PCA
4	46132	SERVICE KIT - EC BALL DETENT PLATE
4-1	41182	1/8" x 1/2" LG S.S. POP RIVET



SERVICE KITS MAY INCLUDE INSTRUCTIONS AND TOOLS



T4r PARTS MANUAL - DRIVETRAIN GROUP

LOAD ADJUSTER ELECTRICAL

DRAWING

47660

REV

C

APP

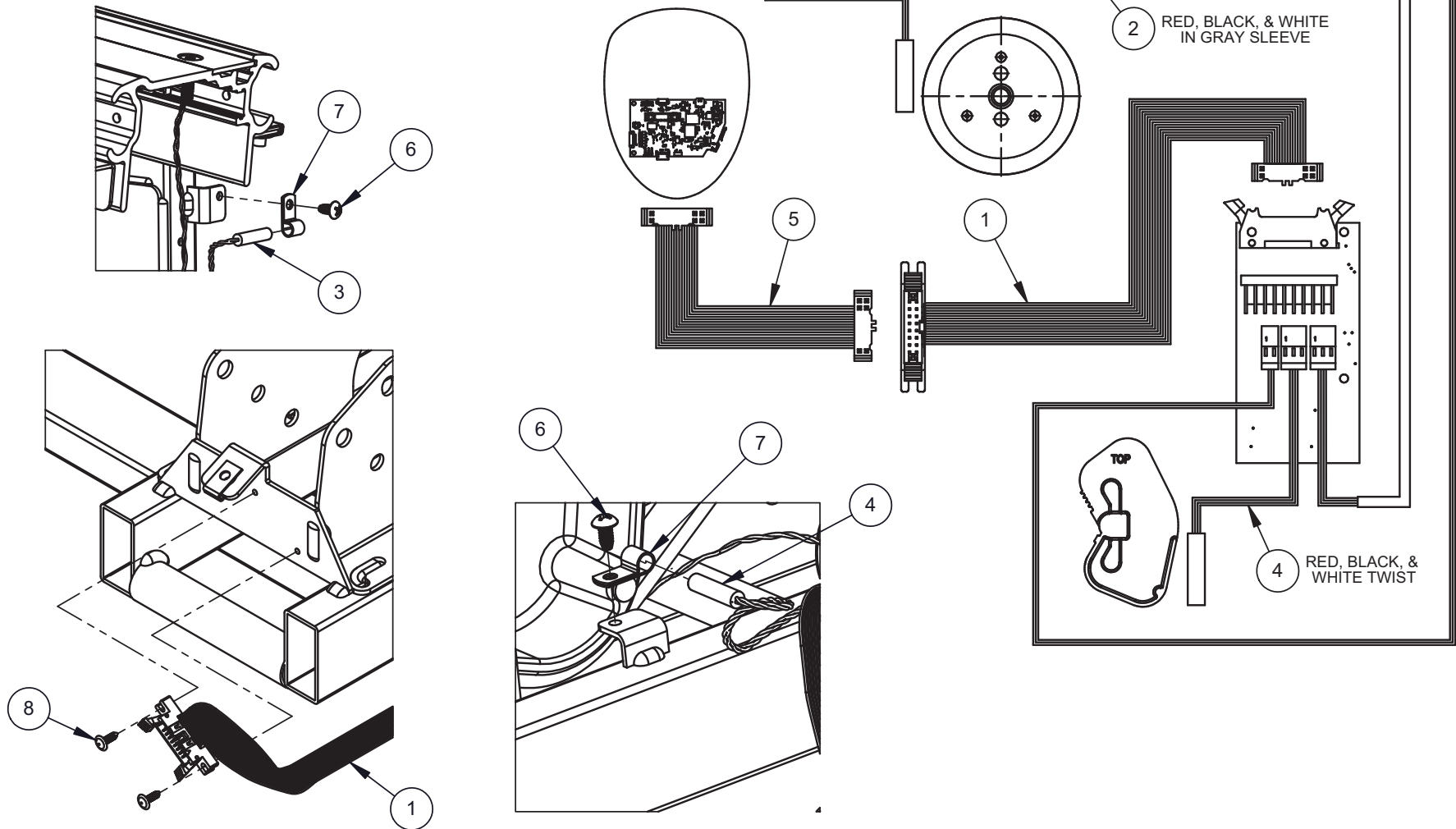
RAF

RELEASE DATE

11/14/17

Electrical Wiring

ITEM NO.	PART NO.	DESCRIPTION
1	46966	SERVICE KIT - RIBBON CABLE LOAD BOARD TO FRAME (WITH TAPE)
2	46939	SERVICE KIT - SEAT SENSOR TO LOAD BOARD CABLE
3	46188	SERVICE KIT - RPM SENSOR AND CABLE
4	46190	SERVICE KIT - STEP SENSOR AND CABLE
5	46967	SERVICE KIT - RIBBON CABLE CONSOLE
6	41246	SCREW - SELF TAPPING 10-24 X 3/8 PHPS
7	41118	CLAMP - SENSOR
8	45989	PIN - PUSH, .125 X .458



SERVICE KITS MAY INCLUDE INSTRUCTIONS AND TOOLS



T4r PARTS MANUAL - DRIVETRAIN GROUP
WIRING

DRAWING
47670

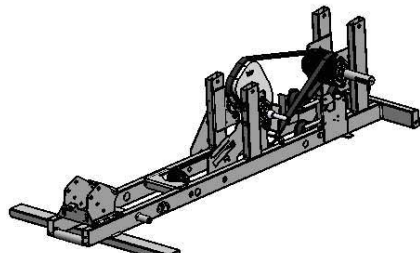
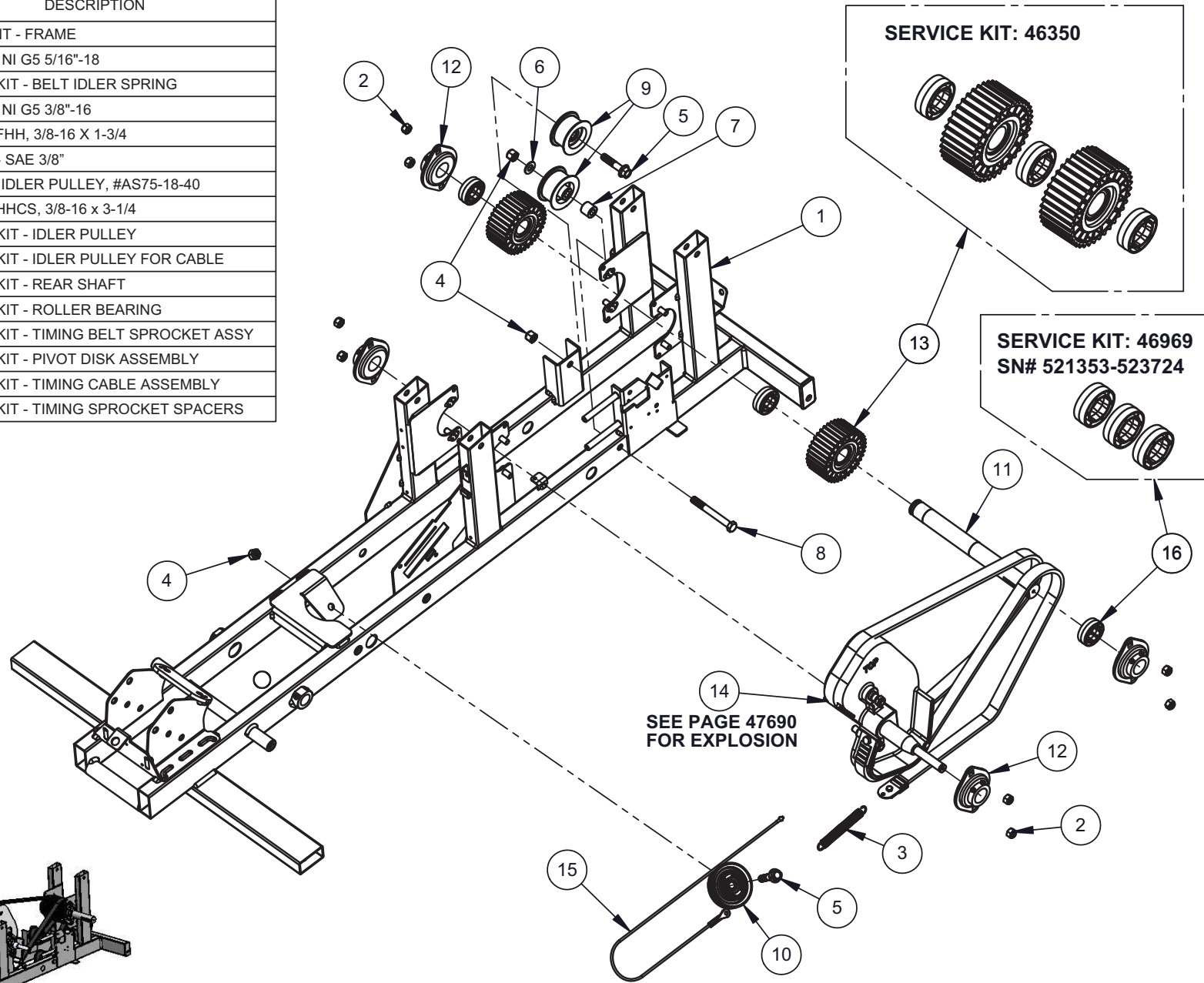
REV
C

APP
RAF

RELEASE DATE
11/14/17

Timing Belts Drivetrain

ITEM NO.	PART NO.	DESCRIPTION
1	45180	WELDMENT - FRAME
2	30106	LOCKNUT NI G5 5/16"-18
3	46138	SERVICE KIT - BELT IDLER SPRING
4	30157	LOCKNUT NI G5 3/8"-16
5	45950	SCREW - FHH, 3/8-16 X 1-3/4
6	30119	WASHER - SAE 3/8"
7	45946	SPACER - IDLER PULLEY, #AS75-18-40
8	45951	SCREW - HHCS, 3/8-16 x 3-1/4
9	46942	SERVICE KIT - IDLER PULLEY
10	46943	SERVICE KIT - IDLER PULLEY FOR CABLE
11	46604	SERVICE KIT - REAR SHAFT
12	46006	SERVICE KIT - ROLLER BEARING
13	46350	SERVICE KIT - TIMING BELT SPROCKET ASSY
14	46865	SERVICE KIT - PIVOT DISK ASSEMBLY
15	46941	SERVICE KIT - TIMING CABLE ASSEMBLY
16	46969	SERVICE KIT - TIMING SPROCKET SPACERS



SERVICE KITS MAY INCLUDE INSTRUCTIONS AND TOOLS



T4r PARTS MANUAL - DRIVETRAIN GROUP
TIMING BELT DRIVE 1 OF 2

DRAWING
47680

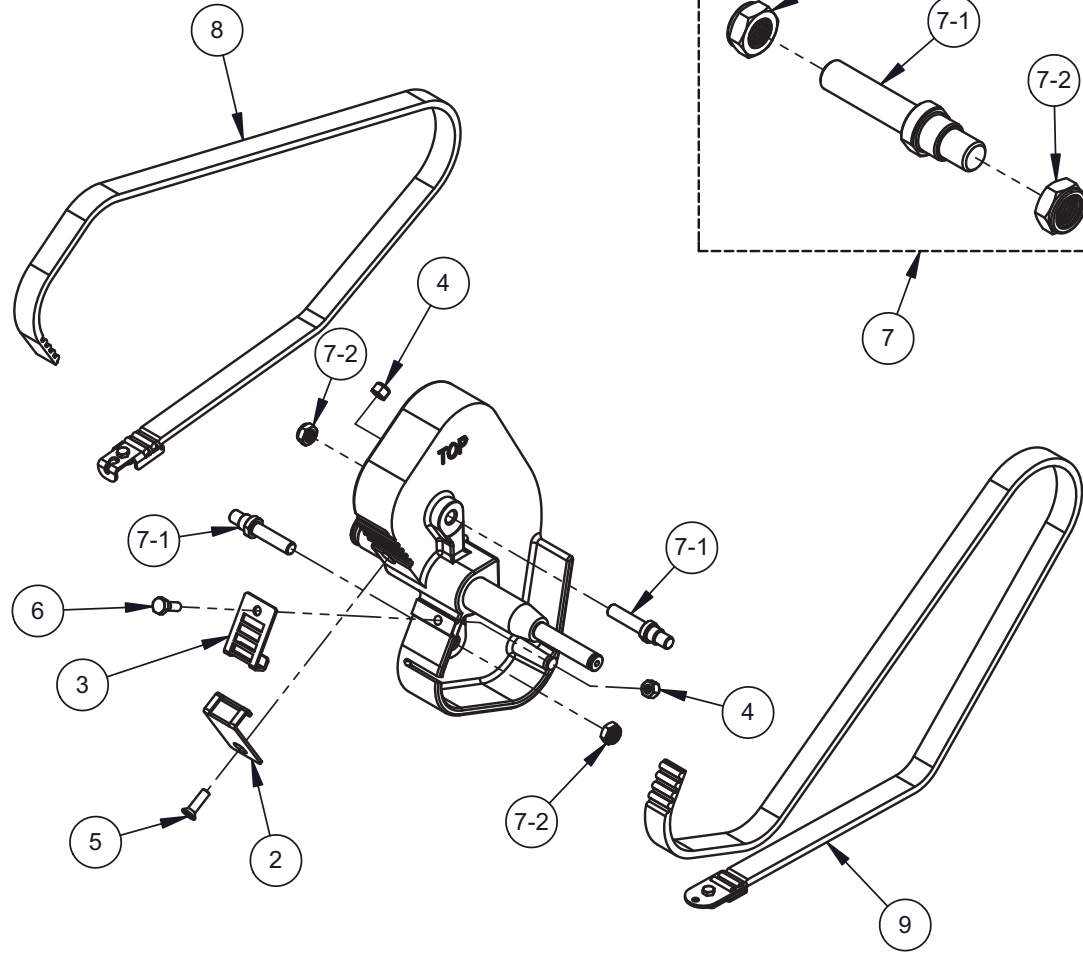
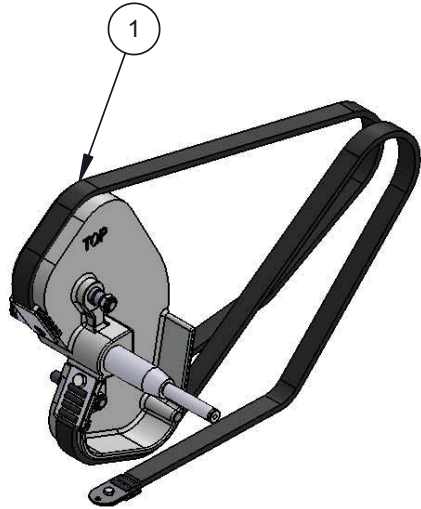
REV
C

APP
RAF

RELEASE DATE
11/14/17

Pivot Disk Drivetrain

ITEM NO.	PART NO.	DESCRIPTION
1	46865	SERVICE KIT - PIVOT DISK ASSEMBLY
2	40320	BELT CLAMP - RH
3	40322	BELT CLAMP - LH
4	41222	NUT - NYLOCK, 1/4"-20, BLACK ZINC
5	41254	SCREW - FHPS 1/4"-20 x 7/8", ZINC
6	41563	1/4-20X3/4 HHCS G5, ZINC
7	46843	SERVICE KIT - PIVOT DISK STUD
7-1	46843	STUD - PIVOT DISK
7-2	50938	NUT - NYLOCK JAM, 3/8-24
8	46944	SERVICE KIT - RH TIMING BELT WITH CLAMP
9	46945	SERVICE KIT - LH TIMING BELT WITH CLAMP



SERVICE KITS MAY INCLUDE INSTRUCTIONS AND TOOLS



T4r PARTS MANUAL - DRIVETRAIN GROUP
TIMING BELT DRIVE 2 OF 2

DRAWING
47690

REV
C

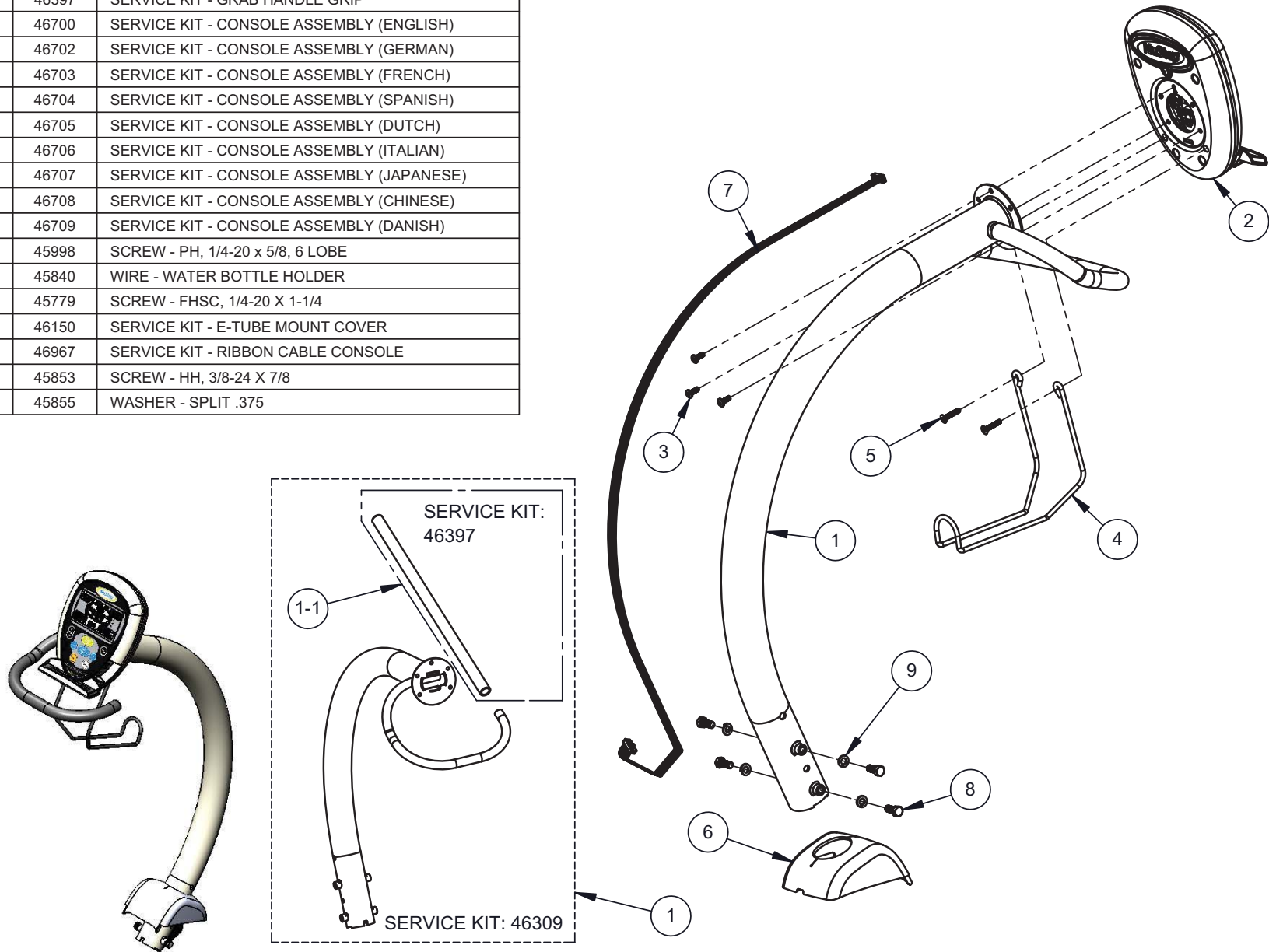
APP
RAF

RELEASE DATE
11/14/17

Console And E-tube Version 1

ITEM NO.	PART NO.	DESCRIPTION
1	46309	SERVICE KIT - E-TUBE ASSEMBLY
1-1	46397	SERVICE KIT - GRAB HANDLE GRIP
2	46700	SERVICE KIT - CONSOLE ASSEMBLY (ENGLISH)
-	46702	SERVICE KIT - CONSOLE ASSEMBLY (GERMAN)
-	46703	SERVICE KIT - CONSOLE ASSEMBLY (FRENCH)
-	46704	SERVICE KIT - CONSOLE ASSEMBLY (SPANISH)
-	46705	SERVICE KIT - CONSOLE ASSEMBLY (DUTCH)
-	46706	SERVICE KIT - CONSOLE ASSEMBLY (ITALIAN)
-	46707	SERVICE KIT - CONSOLE ASSEMBLY (JAPANESE)
-	46708	SERVICE KIT - CONSOLE ASSEMBLY (CHINESE)
-	46709	SERVICE KIT - CONSOLE ASSEMBLY (DANISH)
3	45998	SCREW - PH, 1/4-20 x 5/8, 6 LOBE
4	45840	WIRE - WATER BOTTLE HOLDER
5	45779	SCREW - FHSC, 1/4-20 X 1-1/4
6	46150	SERVICE KIT - E-TUBE MOUNT COVER
7	46967	SERVICE KIT - RIBBON CABLE CONSOLE
8	45853	SCREW - HH, 3/8-24 X 7/8
9	45855	WASHER - SPLIT .375

FOR UNITS WITH SERIAL NUMBERS <511738



SERVICE KITS MAY INCLUDE INSTRUCTIONS AND TOOLS



T4r PARTS MANUAL - CONSOLE GROUP

CONSOLE & E-TUBE

DRAWING 47300

REV C

APP RAF

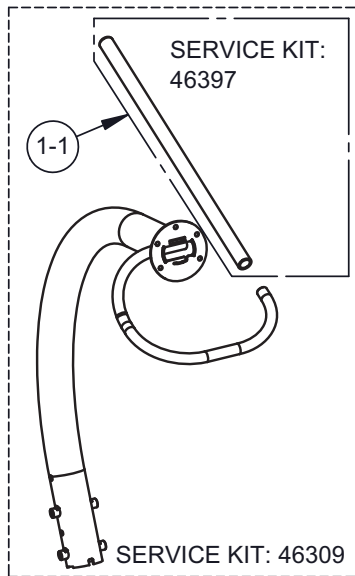
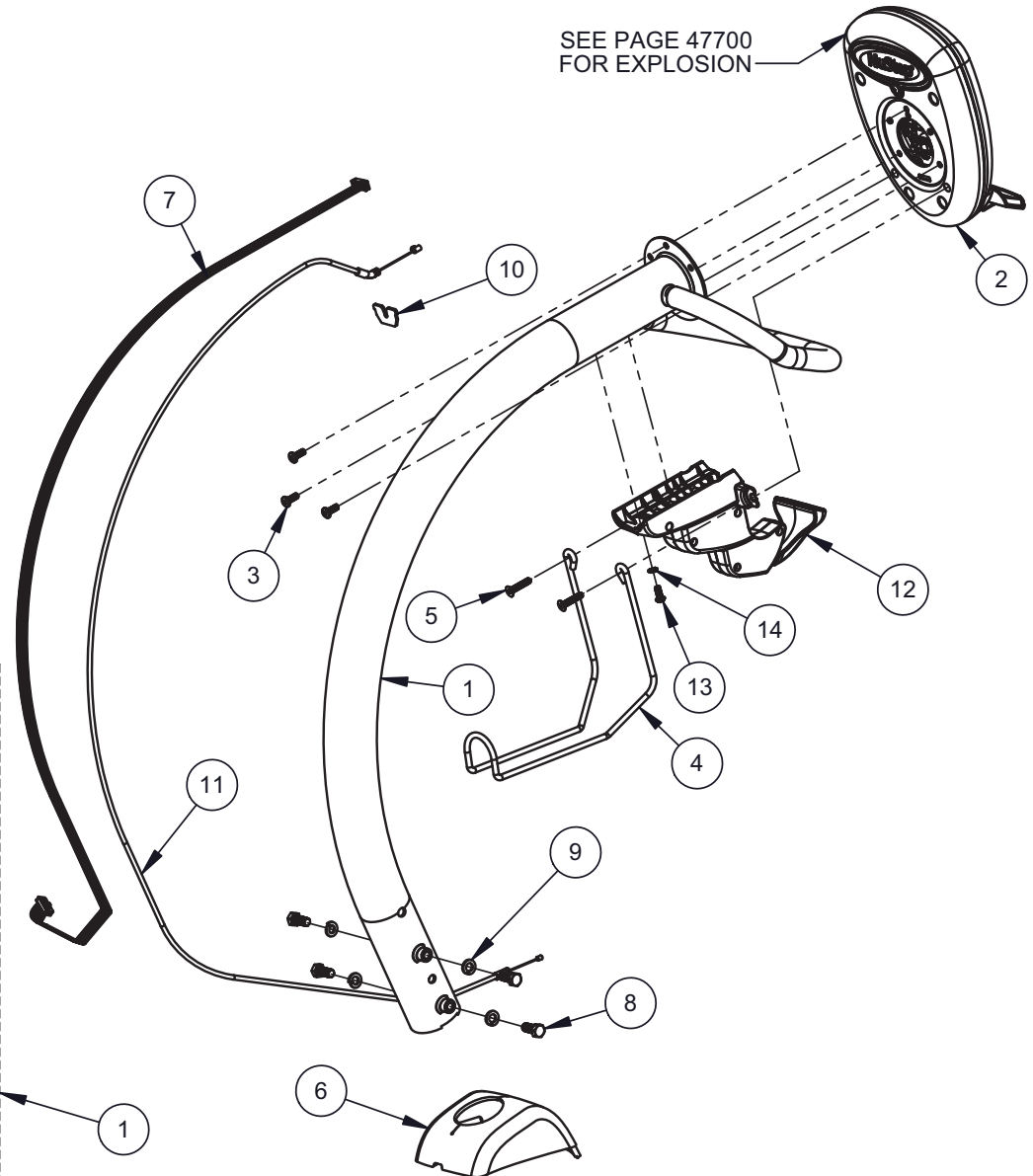
RELEASE DATE 11/14/17

Console And E-tube Version 2

FOR UNITS WITH SERIAL NUMBERS ≥ 511738

ITEM NO.	PART NO.	DESCRIPTION
1	46309	SERVICE KIT - E-TUBE ASSEMBLY
1-1	46397	SERVICE KIT - GRAB HANDLE GRIP
2	46700	SERVICE KIT - CONSOLE ASSEMBLY (ENGLISH)
-	46702	SERVICE KIT - CONSOLE ASSEMBLY (GERMAN)
-	46703	SERVICE KIT - CONSOLE ASSEMBLY (FRENCH)
-	46704	SERVICE KIT - CONSOLE ASSEMBLY (SPANISH)
-	46705	SERVICE KIT - CONSOLE ASSEMBLY (DUTCH)
-	46706	SERVICE KIT - CONSOLE ASSEMBLY (ITALIAN)
-	46707	SERVICE KIT - CONSOLE ASSEMBLY (JAPANESE)
-	46708	SERVICE KIT - CONSOLE ASSEMBLY (CHINESE)
-	46709	SERVICE KIT - CONSOLE ASSEMBLY (DANISH)
3	45998	SCREW - PH, 1/4-20 x 5/8, 6 LOBE
4	45840	WIRE - WATER BOTTLE HOLDER
5	45779	SCREW - FHSC, 1/4-20 X 1-1/4
6	46150	SERVICE KIT - E-TUBE MOUNT COVER
7	46967	SERVICE KIT - RIBBON CABLE CONSOLE
8	45853	SCREW - HH, 3/8-24 X 7/8
9	45855	WASHER - SPLIT .375
10	45793	CONDUIT - PLATE
11	46772	SERVICE KIT - STRIDE LOCK CABLE ASSEMBLY
12	46760	SERVICE KIT - STRIDE LOCK PUSH LEVER ASSEMBLY
13	45799	SCREW - BHSC, 1/4-20 X 5/8, PATCHED
14	51809	WASHER - SERRATED LOCK, M6

SEE PAGE 47700
FOR EXPLOSION



SERVICE KITS MAY INCLUDE
INSTRUCTIONS AND TOOLS



T4r PARTS MANUAL - CONSOLE GROUP

CONSOLE & E-TUBE

DRAWING
47305

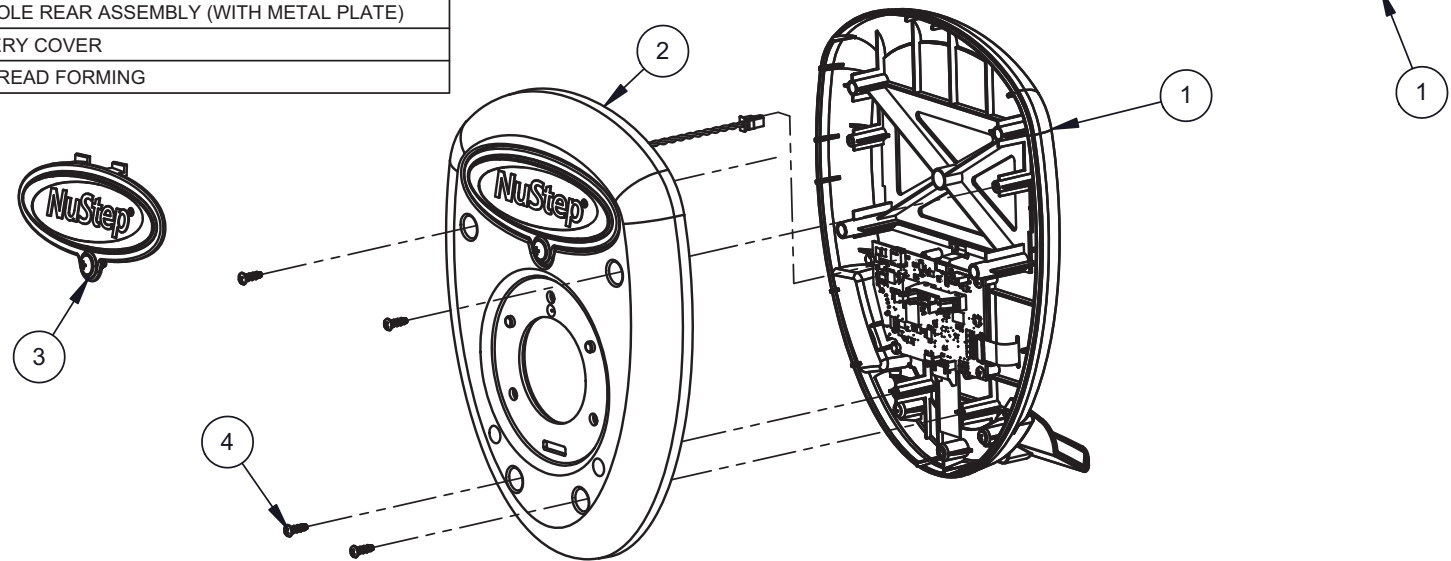
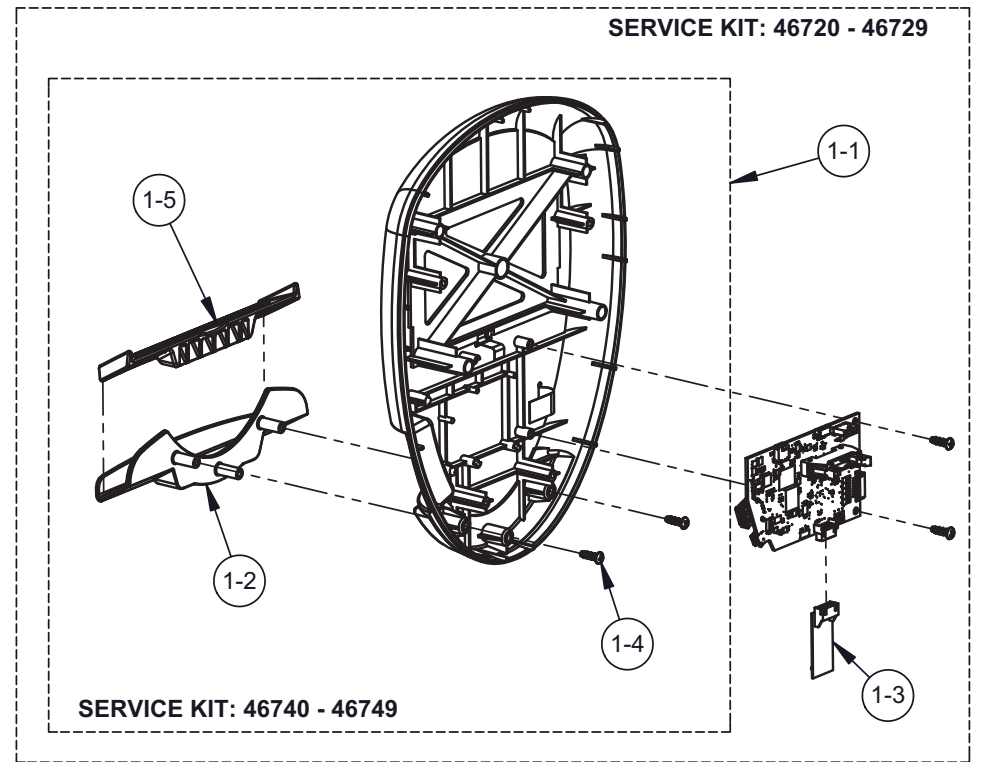
REV
C

APP
RAF

RELEASE DATE
11/14/17

Console

ITEM NO.	PART NO.	DESCRIPTION
1	46720	SERVICE KIT - FRONT CONSOLE ASSEMBLY (ENGLISH)
-	46722	SERVICE KIT - FRONT CONSOLE ASSEMBLY (GERMAN)
-	46723	SERVICE KIT - FRONT CONSOLE ASSEMBLY (FRENCH)
-	46724	SERVICE KIT - FRONT CONSOLE ASSEMBLY (SPANISH)
-	46725	SERVICE KIT - FRONT CONSOLE ASSEMBLY (DUTCH)
-	46726	SERVICE KIT - FRONT CONSOLE ASSEMBLY (ITALIAN)
-	46727	SERVICE KIT - FRONT CONSOLE ASSEMBLY (JAPANESE)
-	46728	SERVICE KIT - FRONT CONSOLE ASSEMBLY (CHINESE)
-	46729	SERVICE KIT - FRONT CONSOLE ASSEMBLY (DANISH)
1-1	46740	SERVICE KIT - FRONT COVER CONSOLE (ENGLISH)
1-2	46343	MEDIA SHELF
1-3	46892	POLAR DUAL-CODED RECEIVING
1-4	50728	SCREW, PLASTIC THREAD FORMING
1-5	45765	INSERT - MEDIA SHELF
-	46741	SERVICE KIT - FRONT COVER CONSOLE, ENGLISH OUS
-	46742	SERVICE KIT - FRONT COVER CONSOLE, GERMAN
-	46743	SERVICE KIT - FRONT COVER CONSOLE, FRENCH
-	46744	SERVICE KIT - FRONT COVER CONSOLE, SPANISH
-	46745	SERVICE KIT - FRONT COVER CONSOLE, DUTCH
-	46746	SERVICE KIT - FRONT COVER CONSOLE, ITALIAN
-	46747	SERVICE KIT - FRONT COVER CONSOLE, JAPANESE
-	46748	SERVICE KIT - FRONT COVER CONSOLE, CHINESE
-	46749	SERVICE KIT - FRONT COVER CONSOLE, DANISH
2	46244	SERVICE KIT - CONSOLE REAR ASSEMBLY (WITH METAL PLATE)
3	46323	SERVICE KIT - BATTERY COVER
4	50728	SCREW, PLASTIC THREAD FORMING



SERVICE KITS MAY INCLUDE INSTRUCTIONS AND TOOLS



T4r PARTS MANUAL - CONSOLE GROUP
CONSOLE

DRAWING
47700

REV
C

APP
RAF

RELEASE DATE
11/14/17

NuStep, LLC.
5111 Venture Drive, Suite 1
Ann Arbor, MI 48108
U.S.A.
(800) 322-4434
(734) 769-4400
support@nustep.com
www.nustep.com



The information in this manual is the most current at the time of printing. Due to our commitment toward continuous improvement, specifications and descriptions are subject to change without notice. No part of this manual may be reproduced or transmitted in any form or by any means, electronic or mechanical, for any purpose without the express written permission of NuStep, LLC. © Copyright November 2017 by NuStep, LLC.

NuStep[®] and Transforming Lives[®] are registered trademarks of NuStep, LLC.

ISO 9001:2008 Registered.

Manual PN 47500 NuStep T4r Service Parts Manual, Rev C

