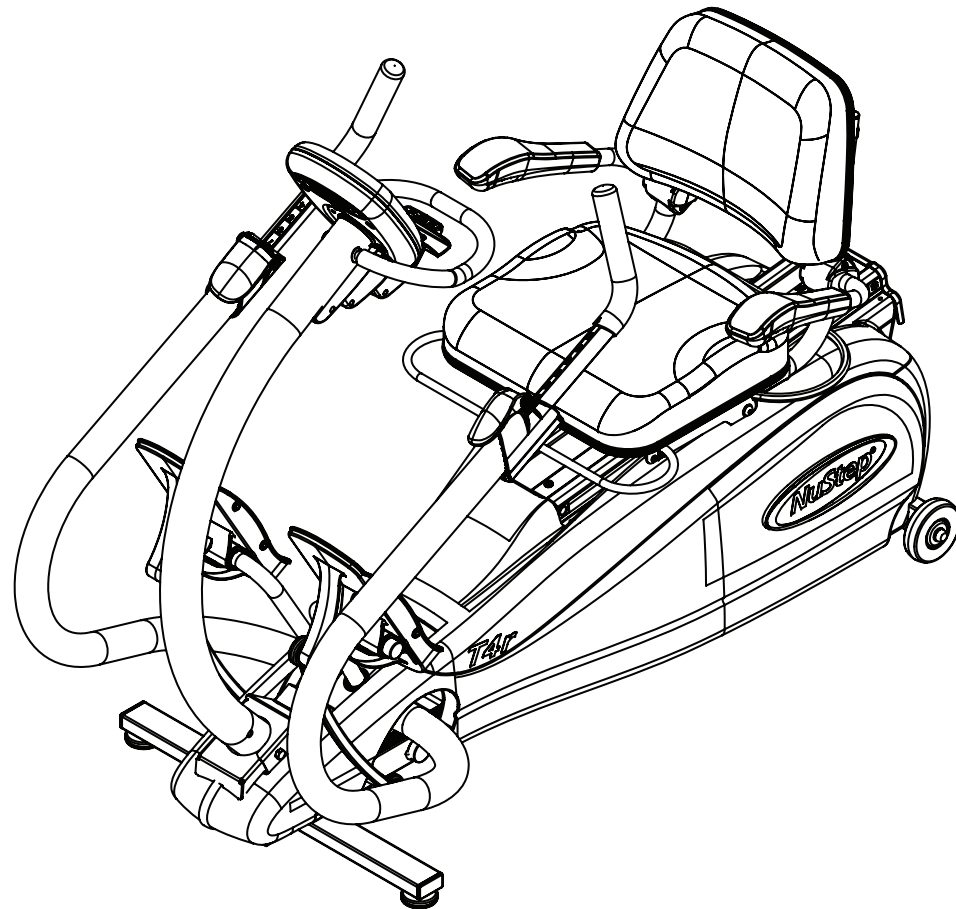


# NuStep<sup>®</sup> T4r

Recumbent Cross Trainer

SERVICE PARTS MANUAL



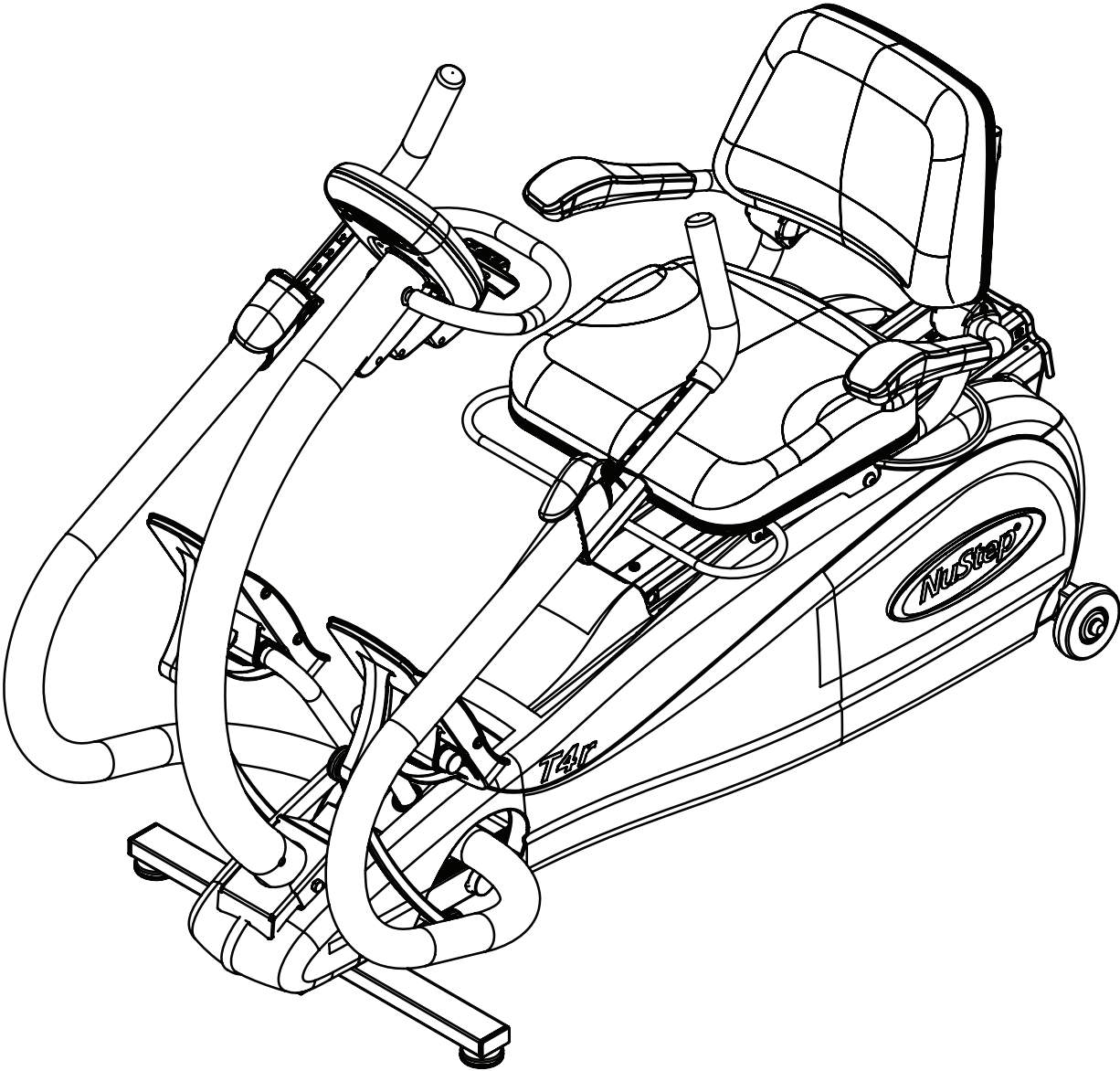
Transforming Lives<sup>®</sup>



# Contents

T4r Assembled View	4
Groups Breakdown	5
Covers And Leveler Feet	6
Seat And Trolley	7
Arms	8
Pedals	9
Seat Rail	10
Pedal Castings And Connecting Links	11
Load Level Adjuster Mechanical	12
Load Level Adjuster Electrical	13
Electrical Wiring	14
Rear Drivetrain	15
Pivot Disk Drivetrain	16
Console And E-tube	17

T4r Assembled View



SERVICE KITS MAY INCLUDE  
INSTRUCTIONS AND TOOLS



T4r PARTS MANUAL - OVERVIEW  
ASSEMBLED UNIT

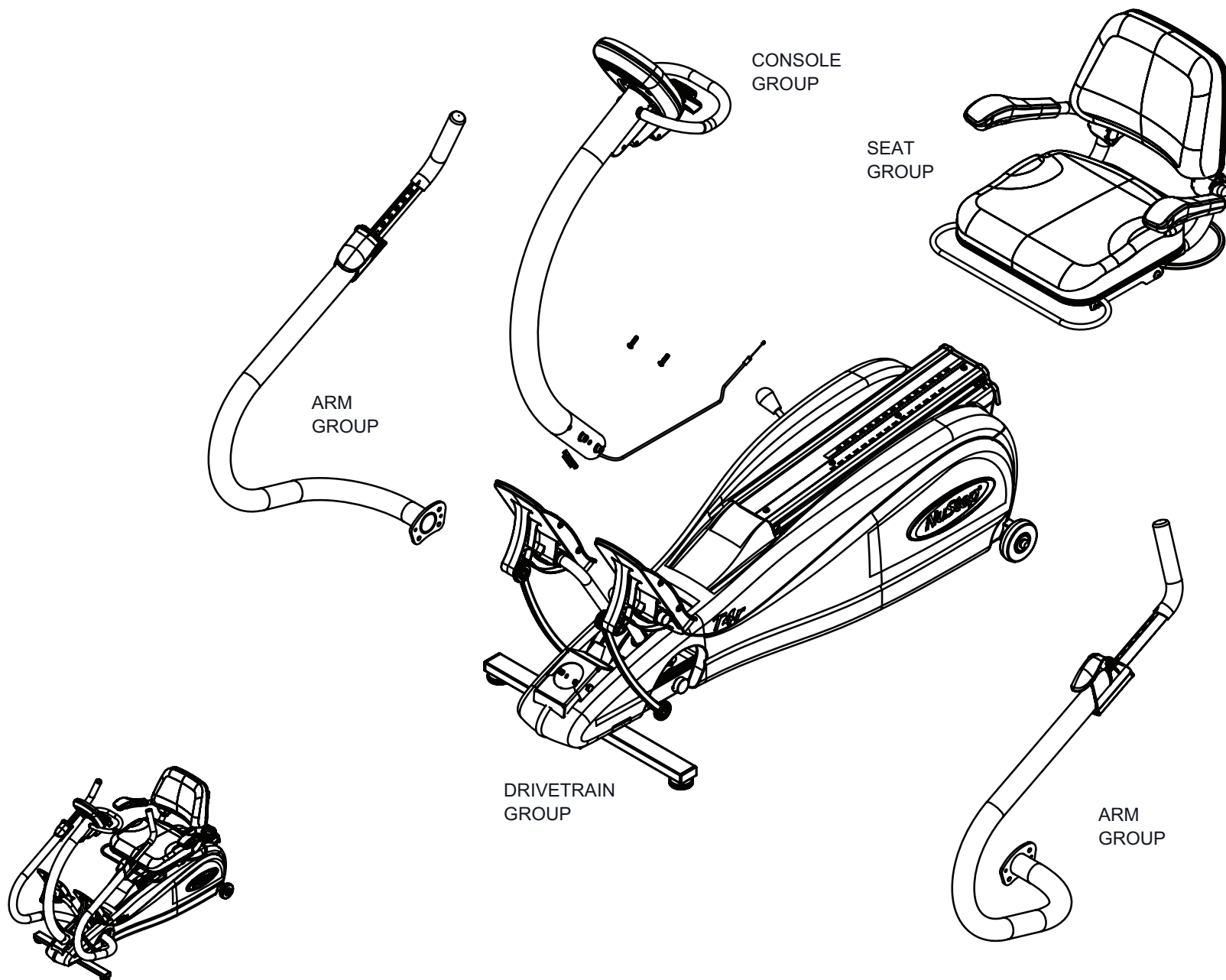
DRAWING  
47000

REV  
D

APP  
LNP

RELEASE DATE  
4/15/26

# Groups Breakdown



SERVICE KITS MAY INCLUDE INSTRUCTIONS AND TOOLS



T4r PARTS MANUAL - OVERVIEW  
**GROUPS**

DRAWING  
47010

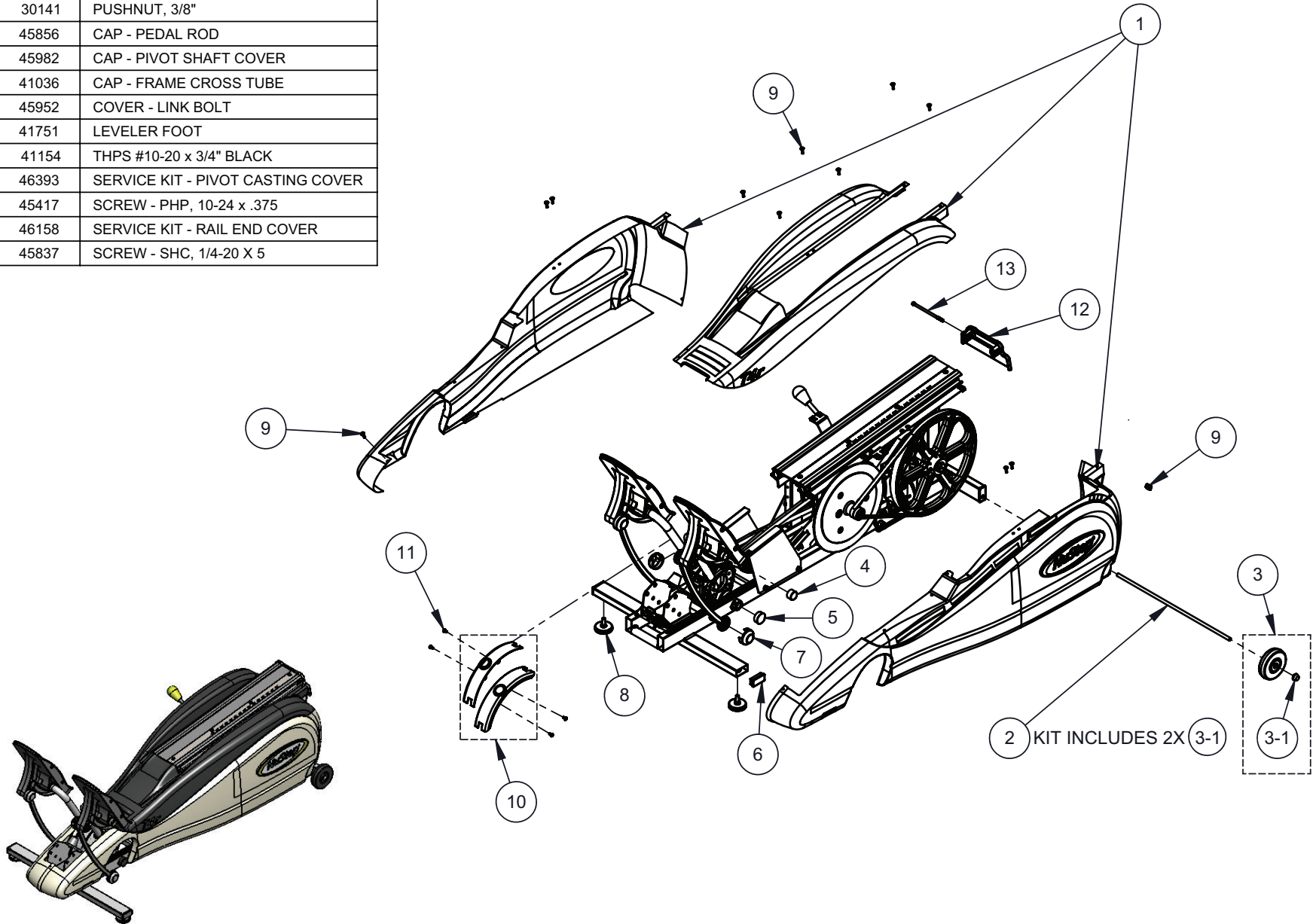
REV  
D

APP  
LNP

RELEASE DATE  
4/15/2026

## Covers And Leveler Feet

ITEM NO.	PART NO.	DESCRIPTION
1	46154	SERVICE KIT - T4R COVERS
2	46128	SERVICE KIT - AXLE
3	46170	SERVICE KIT - REAR WHEEL
3-1	30141	PUSHNUT, 3/8"
4	45856	CAP - PEDAL ROD
5	45982	CAP - PIVOT SHAFT COVER
6	41036	CAP - FRAME CROSS TUBE
7	45952	COVER - LINK BOLT
8	41751	LEVELER FOOT
9	41154	THPS #10-20 x 3/4" BLACK
10	46393	SERVICE KIT - PIVOT CASTING COVER
11	45417	SCREW - PHP, 10-24 x .375
12	46158	SERVICE KIT - RAIL END COVER
13	45837	SCREW - SHC, 1/4-20 X 5



**SERVICE KITS MAY INCLUDE INSTRUCTIONS AND TOOLS**



T4r PARTS MANUAL - DRIVETRAIN GROUP  
**COVERS AND FEET**

DRAWING  
**47600**

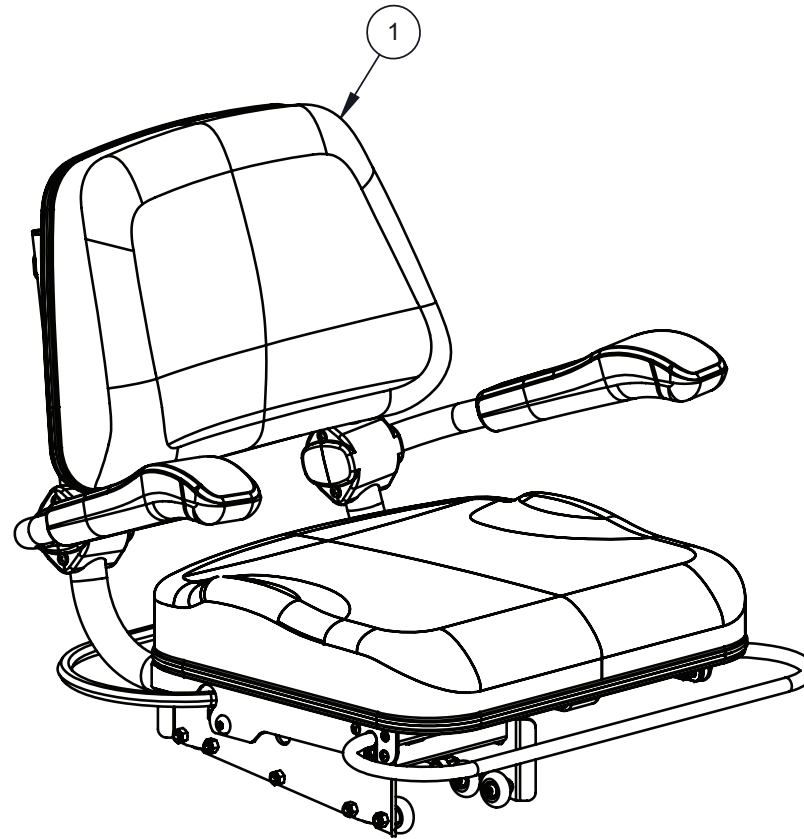
REV  
**D**

APP  
**LNP**

RELEASE DATE  
**4/15/2026**

# Seat and Trolley

ITEM NO.	PART NO.	DESCRIPTION
1	46100	SERVICE KIT - SEAT AND TROLLEY ASSEMBLY



**SERVICE KITS MAY INCLUDE  
INSTRUCTIONS AND TOOLS**



T4r PARTS MANUAL - SEAT GROUP

**SEAT AND TROLLEY**

DRAWING

**47100**

REV

**D**

APP

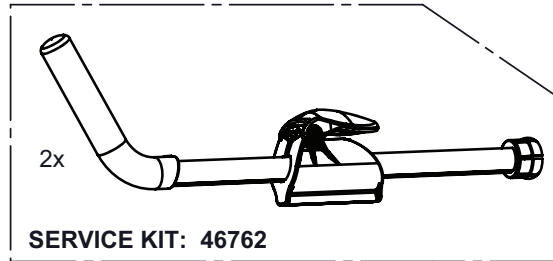
**LNP**

RELEASE DATE

**4/15/26**

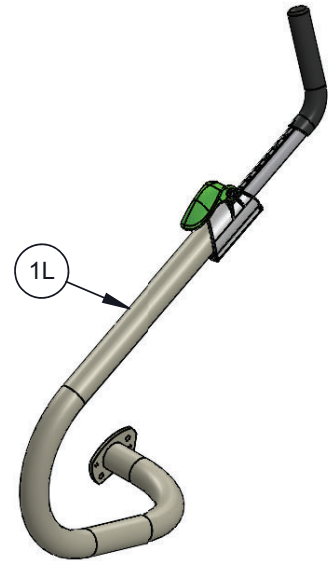
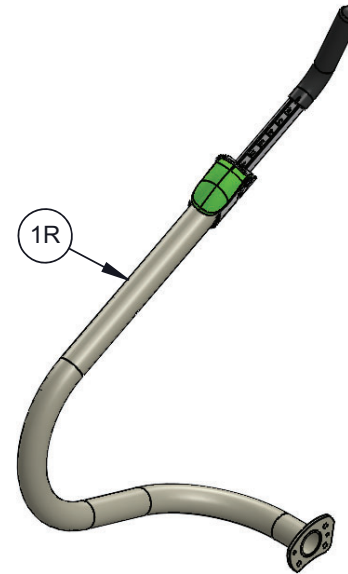
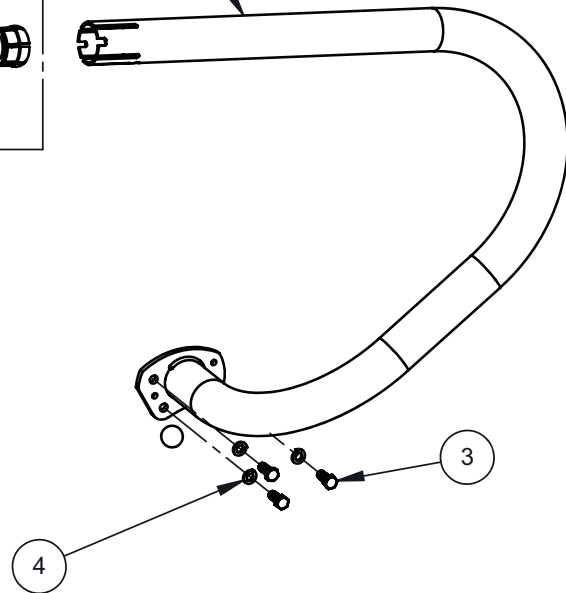
# Arms

ITEM NO.	PART NO.	DESCRIPTION
1R	46450	ASSEMBLY - ARM, RH
1L	46451	ASSEMBLY - ARM, LH
2R	46222	SERVICE KIT - RH LOWER ARM WELDMENT
2L	46223	SERVICE KIT - LH LOWER ARM WELDMENT
3	45853	SCREW - HH, 3/8-24 X 7/8
4	45855	WASHER - SPLIT .375
5	46762	SERVICE KIT - UPPER ARM AND ARM LOCK



5

2R 2L NOT SHOWN



SERVICE KITS MAY INCLUDE INSTRUCTIONS AND TOOLS



T4r PARTS MANUAL - ARMS GROUP  
**ARMS**

DRAWING  
47400

REV  
D

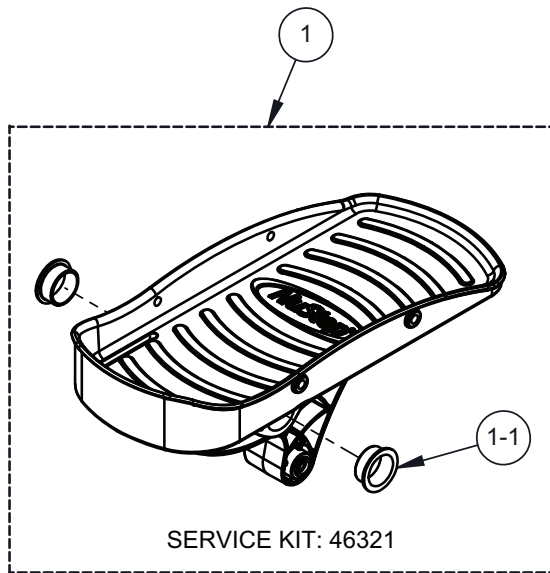
APP  
LNP

RELEASE DATE  
5/4/26

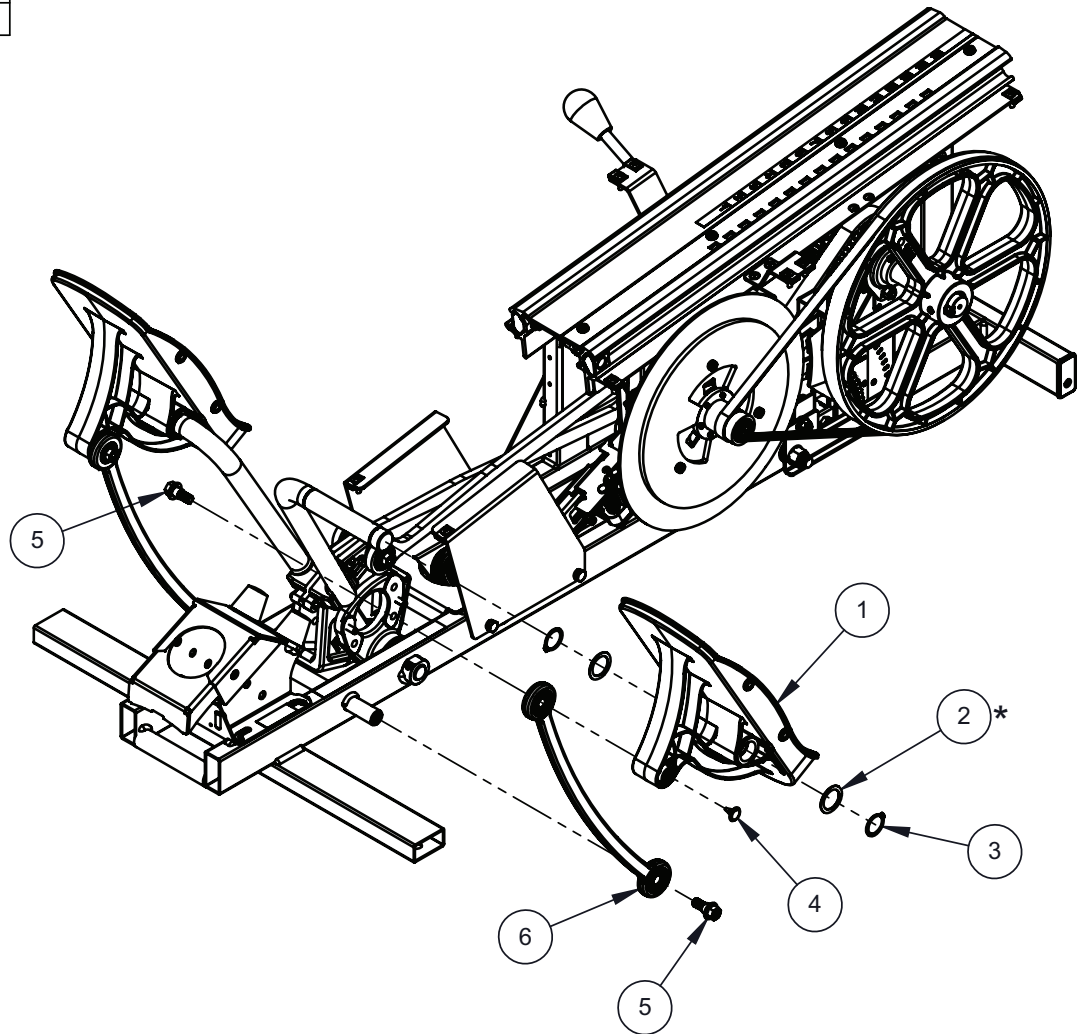
# Pedals

ITEM NO.	PART NO.	DESCRIPTION
1	46321	SERVICE KIT - PEDAL ASSEMBLY
1-1	41004	BEARING - IGUS LFI-1618-08
2	45984	WASHER - THRUST, PEDAL
3	45926	SNAP RING - FOR 1" SHAFT
4	45954	PIN - PEDAL INSERT (COSMETIC)
5	45827	BOLT - SHOULDER, FLANGED HEX HEAD
6	46234	SERVICE KIT - PEDAL STABIZER LINK

\* (2) MAY BE PRESENT IN 3 CONFIGURATIONS: 2 PER PEDAL (AS SHOWN), 1 PER PEDAL, COMPLETELY ABSENT



**NOTE: SAME KIT USED ON RH AND LH**



SERVICE KITS MAY INCLUDE INSTRUCTIONS AND TOOLS



T4r PARTS MANUAL - DRIVETRAIN GROUP  
**PEDAL DETAILS**

DRAWING  
 47610

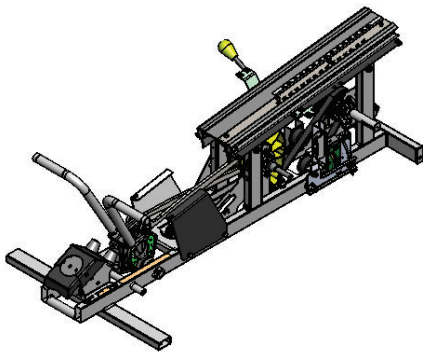
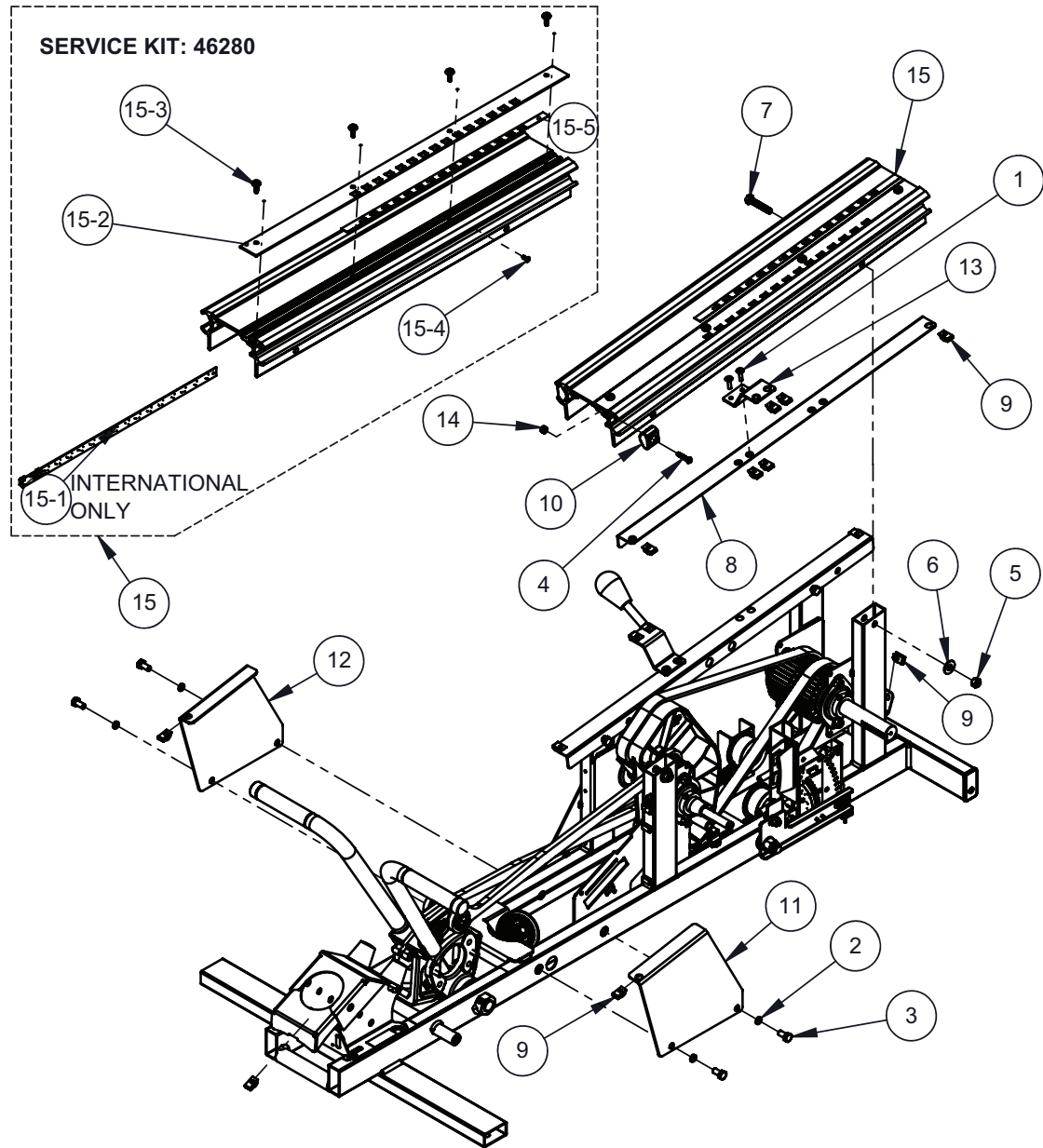
REV  
 D

APP  
 LNP

RELEASE DATE  
 4/15/26

# Seat Rail

ITEM NO	PART NO.	DESCRIPTION
1	41154	THPS #10-24 x 3/4" BLACK
2	30109	LOCKWASHER - SPLIT 5/16"
3	30104	HHCS G5 5/16"-18 x 5/8
4	45857	BH SCREW - 10-24 X 1
5	30106	LOCKNUT NI G5 5/16"-18
6	30126	WASHER - USS 5/16"
7	41218	HHCS G5 5/16"-18 x 1-3/4
8	40144	BRACKET - ANGLE COVER MOUNT
9	41156	U-NUT #10-24
10	45154	BUMPER - RAIL, FRONT
11	40137	STEP THRU SUPPORT II LH
12	40138	STEP THRU SUPPORT II RH
13	40146	BRACKET - SIDE COVER MOUNT
14	45858	NUT - 10-24, NYLOCK
15	46280	SERVICE KIT - RAIL ASSEMBLY
15-1	46602	SERVICE KIT - SEAT POSITION SENSOR PCB
15-2	46387	SERVICE KIT - LATCH PLATE
15-3	45862	SCREW - 5/8x1/4-20 BHS Thread Forming
15-4	45989	PIN - SNAP LOCK 0.125 X 0.312
15-5	45287	Label - T4r Seat Position



**SERVICE KITS MAY INCLUDE INSTRUCTIONS AND TOOLS**



T4r PARTS MANUAL - DRIVETRAIN GROUP

## SEAT RAIL

DRAWING  
47630

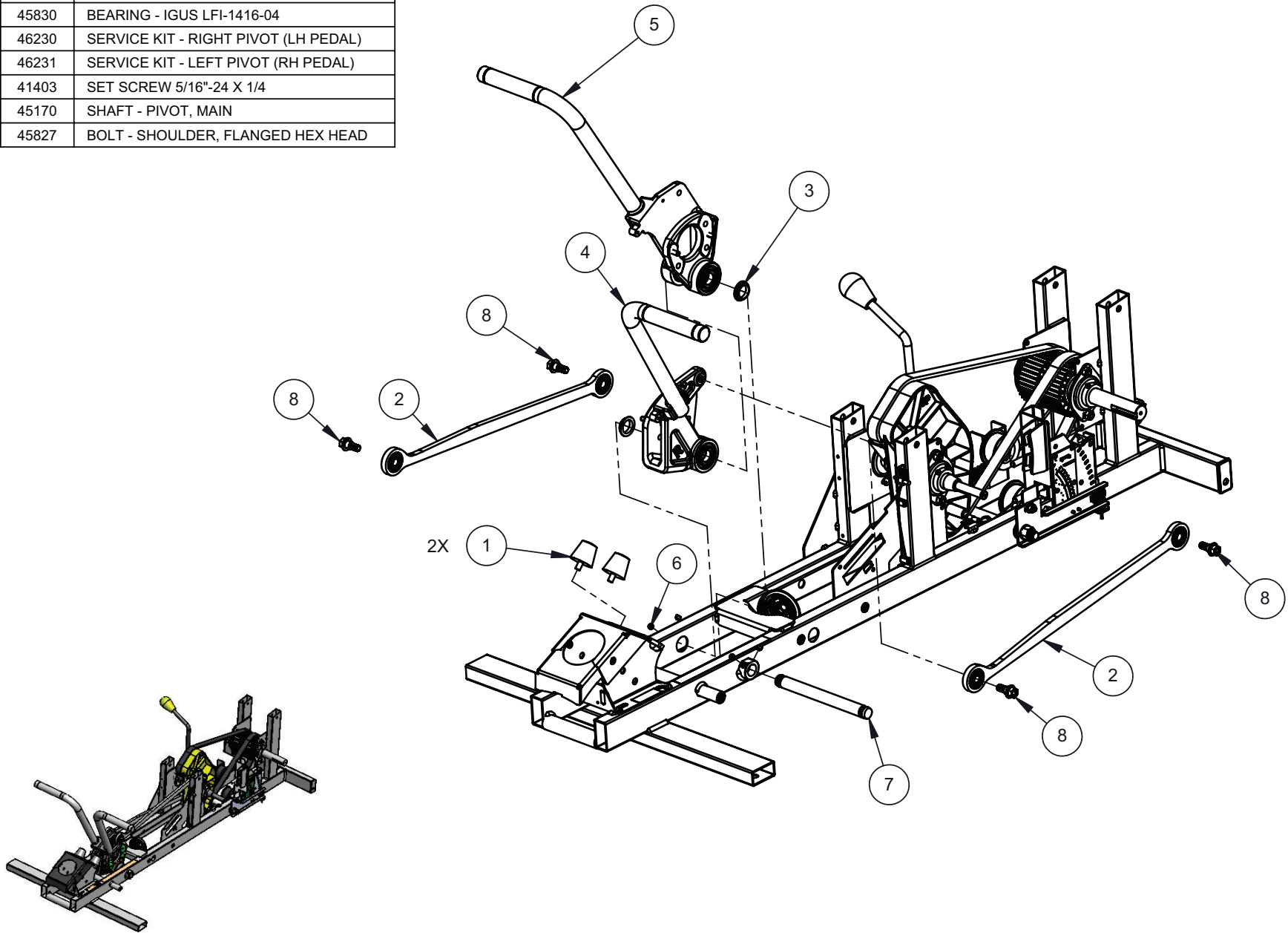
REV  
D

APP  
LNP

RELEASE DATE  
4/15/26

## Pedal Castings And Connecting Links

ITEM NO	PART NO.	DESCRIPTION
1	46027	SERVICE KIT - FOOT PEDAL BUMPER
2	46241	SERVICE KIT - CONNECTING LINK
3	45830	BEARING - IGUS LFI-1416-04
4	46230	SERVICE KIT - RIGHT PIVOT (LH PEDAL)
5	46231	SERVICE KIT - LEFT PIVOT (RH PEDAL)
6	41403	SET SCREW 5/16"-24 X 1/4
7	45170	SHAFT - PIVOT, MAIN
8	45827	BOLT - SHOULDER, FLANGED HEX HEAD



**SERVICE KITS MAY INCLUDE  
INSTRUCTIONS AND TOOLS**



T4r PARTS MANUAL - DRIVETRAIN GROUP  
**PEDAL CASTINGS**

DRAWING  
**47640**

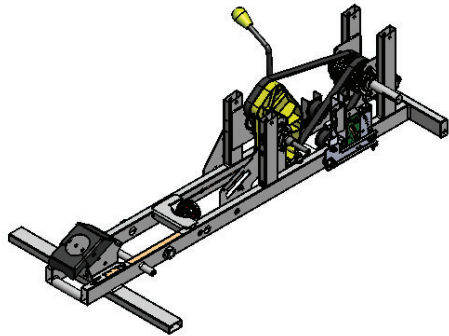
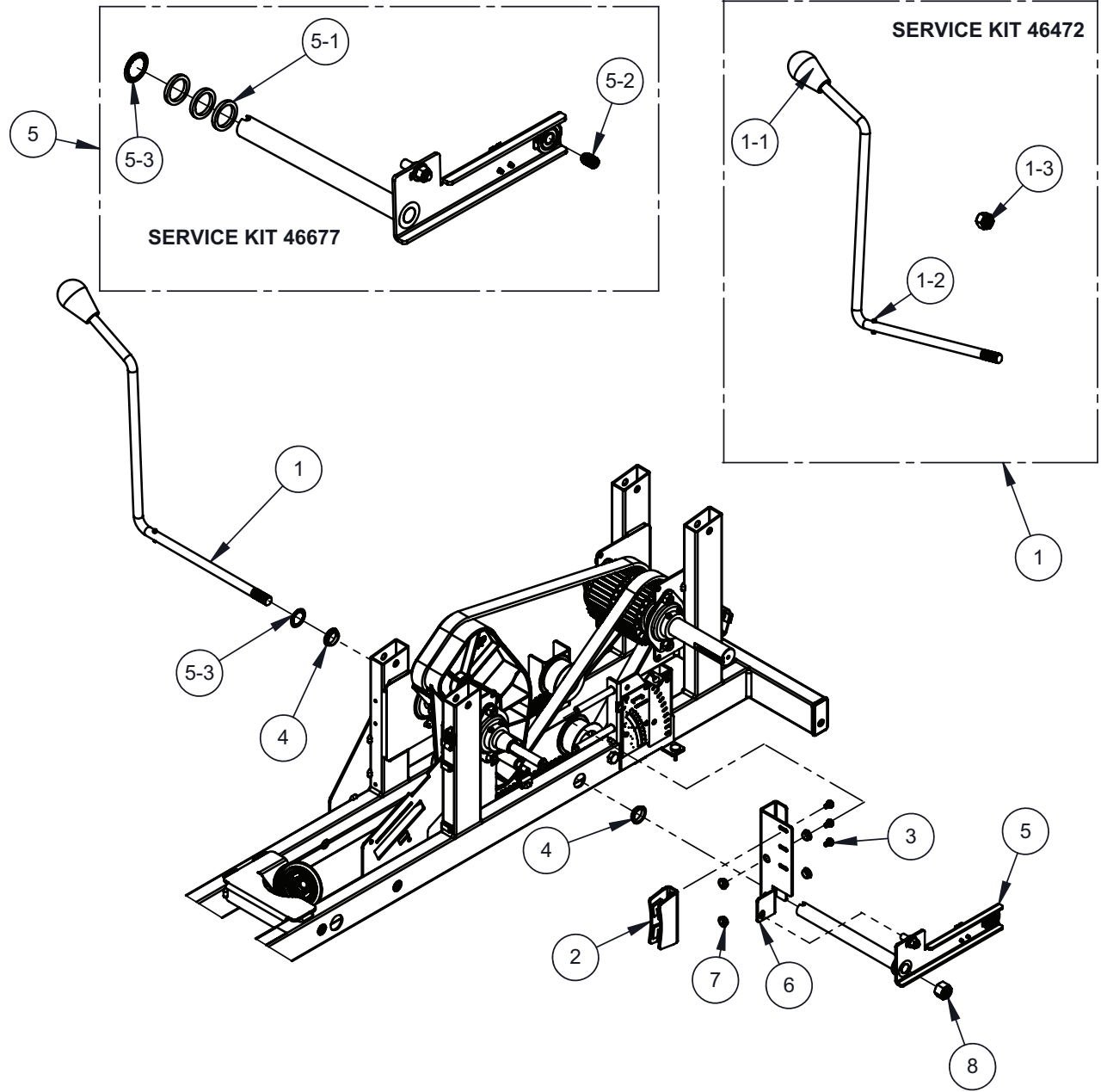
REV  
**D**

APP  
**LNP**

RELEASE DATE  
**4/15/26**

# Load Level Adjuster Mechanical

ITEM NO	PART NO.	DESCRIPTION
1	46472	SERVICE KIT - LOAD LEVER
1-1	41551	KNOB - LOAD LEVER, GREEN
1-2	41330	COIL PIN
1-3	41260	LOCKNUT NI G5 1/2"-13
2	46679	SERVICE KIT - EC MAGNET BRACKET
3	41100	PHPS W/EXT WASHER #10-24 X 3/8" BLK
4	41477	CLIP BEARING - 3/4"
5	46677	SERVICE KIT - PLUNGER PLATE
5-1	30333	WASHER - NYLON 0.75X1"
5-2	41046	EC BALL PLUNGER
5-3	41114	RETAINING RING - SELF LOCKING 3/4"
6	46424	SERVICE KIT - EC MAGNET SLIDE
7	41476	CLIP BEARING - 3/8"
8	41260	LOCKNUT NI G5 1/2"-13



SERVICE KITS MAY INCLUDE INSTRUCTIONS AND TOOLS



T4r PARTS MANUAL - DRIVETRAIN GROUP  
LOAD ADJUSTER MECH

DRAWING  
47650

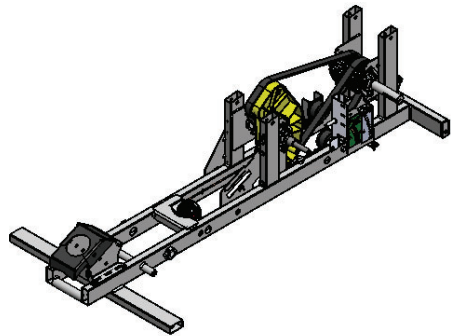
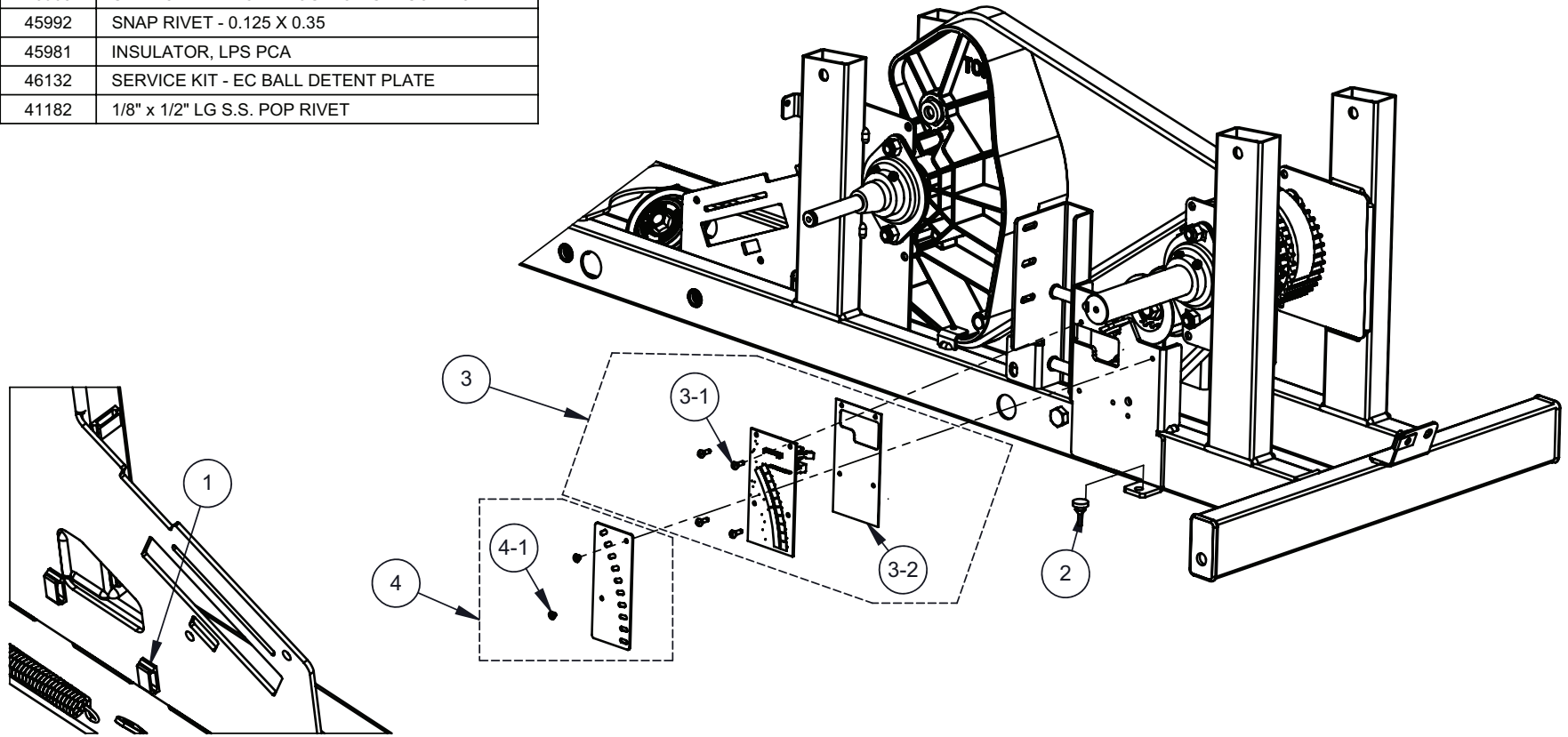
REV  
D

APP  
LNP

RELEASE DATE  
4/15/26

# Load Level Adjuster Electrical

ITEM NO.	PART NO.	DESCRIPTION
1	45977	CLIP - CABLE
2	41026	BUMPER - SMALL
3	46968	SERVICE KIT - LOAD POSITION SENSOR BOARD
3-1	45992	SNAP RIVET - 0.125 X 0.35
3-2	45981	INSULATOR, LPS PCA
4	46132	SERVICE KIT - EC BALL DETENT PLATE
4-1	41182	1/8" x 1/2" LG S.S. POP RIVET



**SERVICE KITS MAY INCLUDE INSTRUCTIONS AND TOOLS**



T4r PARTS MANUAL - DRIVETRAIN GROUP  
**LOAD ADJUSTER ELECTRICAL**

DRAWING  
**47660**

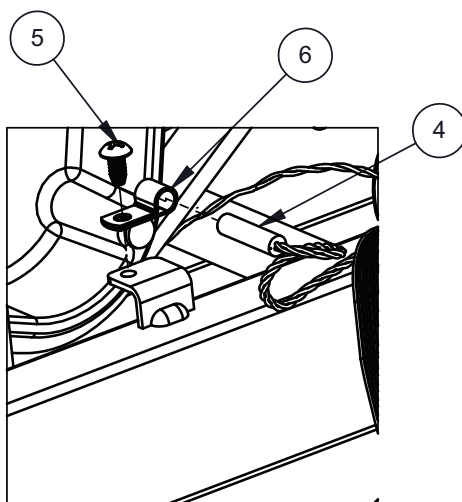
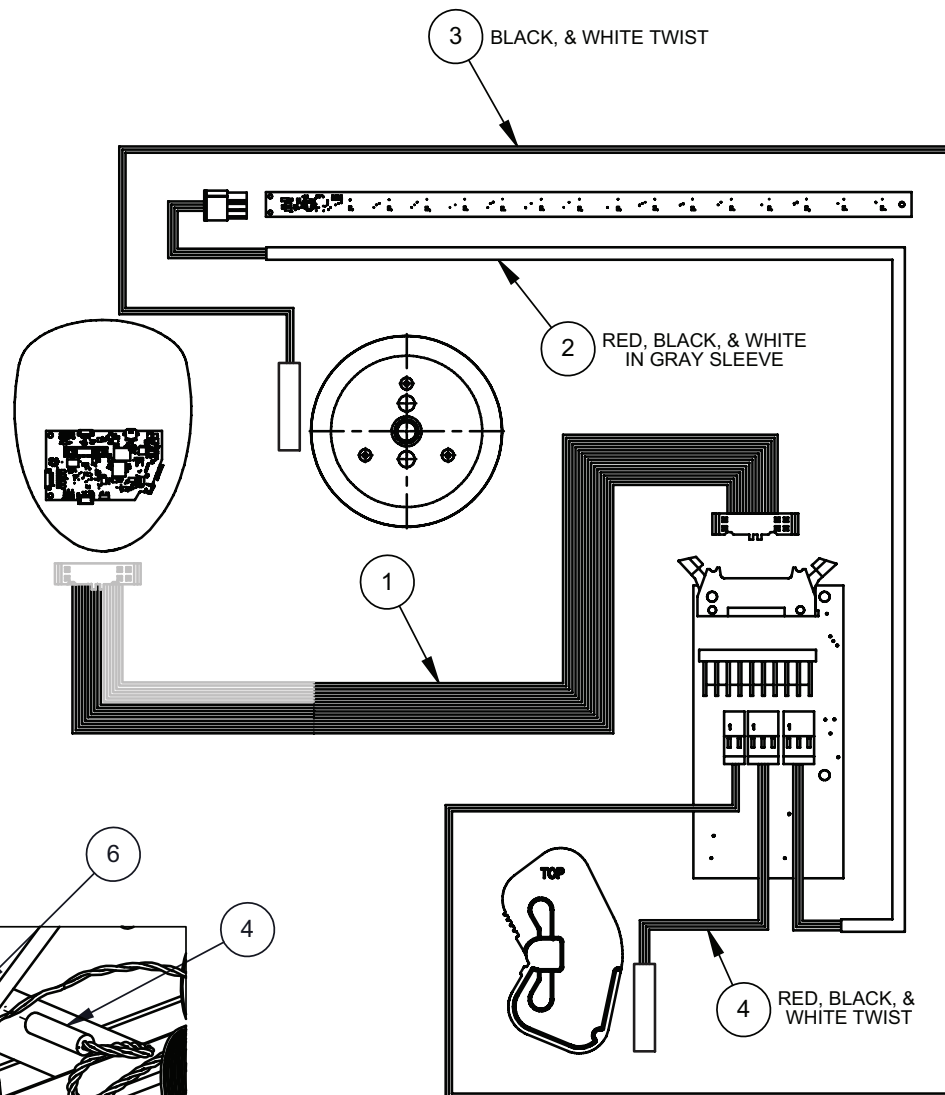
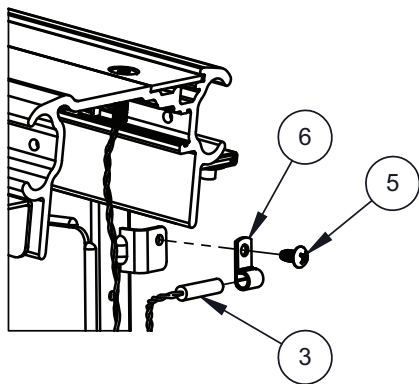
REV  
**D**

APP  
**LNP**

RELEASE DATE  
**4/15/26**

# Electrical Wiring

ITEM NO.	PART NO.	DESCRIPTION
1	46966	SERVICE KIT - RIBBON CABLE
2	46939	SERVICE KIT - SEAT SENSOR TO LOAD BOARD CABLE
3	46188	SERVICE KIT - RPM SENSOR AND CABLE
4	46190	SERVICE KIT - STEP SENSOR AND CABLE
5	41246	SCREW - SELF TAPPING 10-24 X 3/8 PHPS
6	41118	CLAMP - SENSOR



SERVICE KITS MAY INCLUDE INSTRUCTIONS AND TOOLS



T4r PARTS MANUAL - DRIVETRAIN GROUP

WIRING

DRAWING  
47670

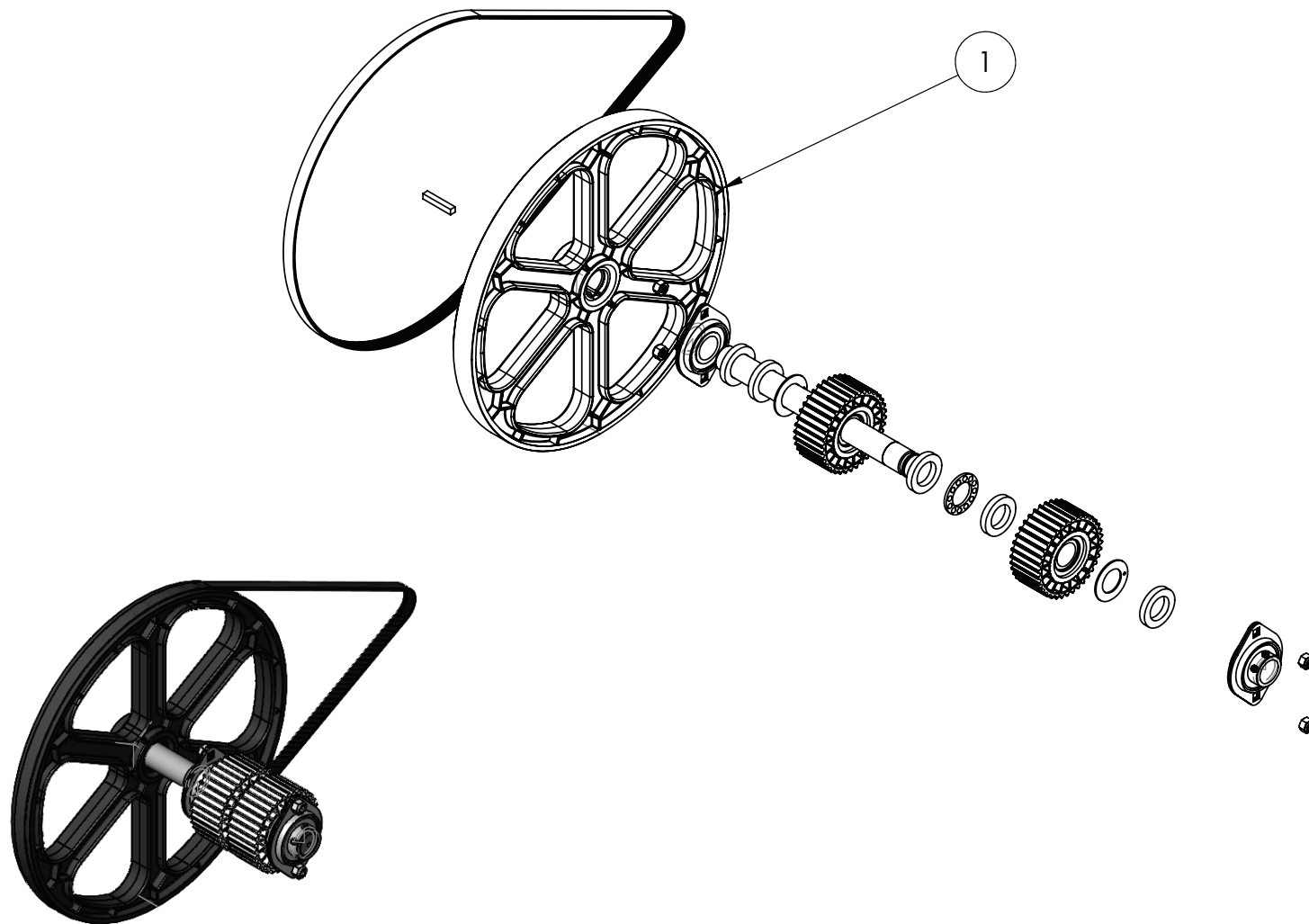
REV  
D

APP  
LNP

RELEASE DATE  
4/15/26

## Rear Drivetrain

Item NO.	PART NUMBER	DESCRIPTION	QTY.
1	46463	Service Kit - Rear Shaft	1



TITLE: T4r Parts Manual - Drivetrain Group

Rear Shaft

DWG. NO.

47652

REV

D

APP

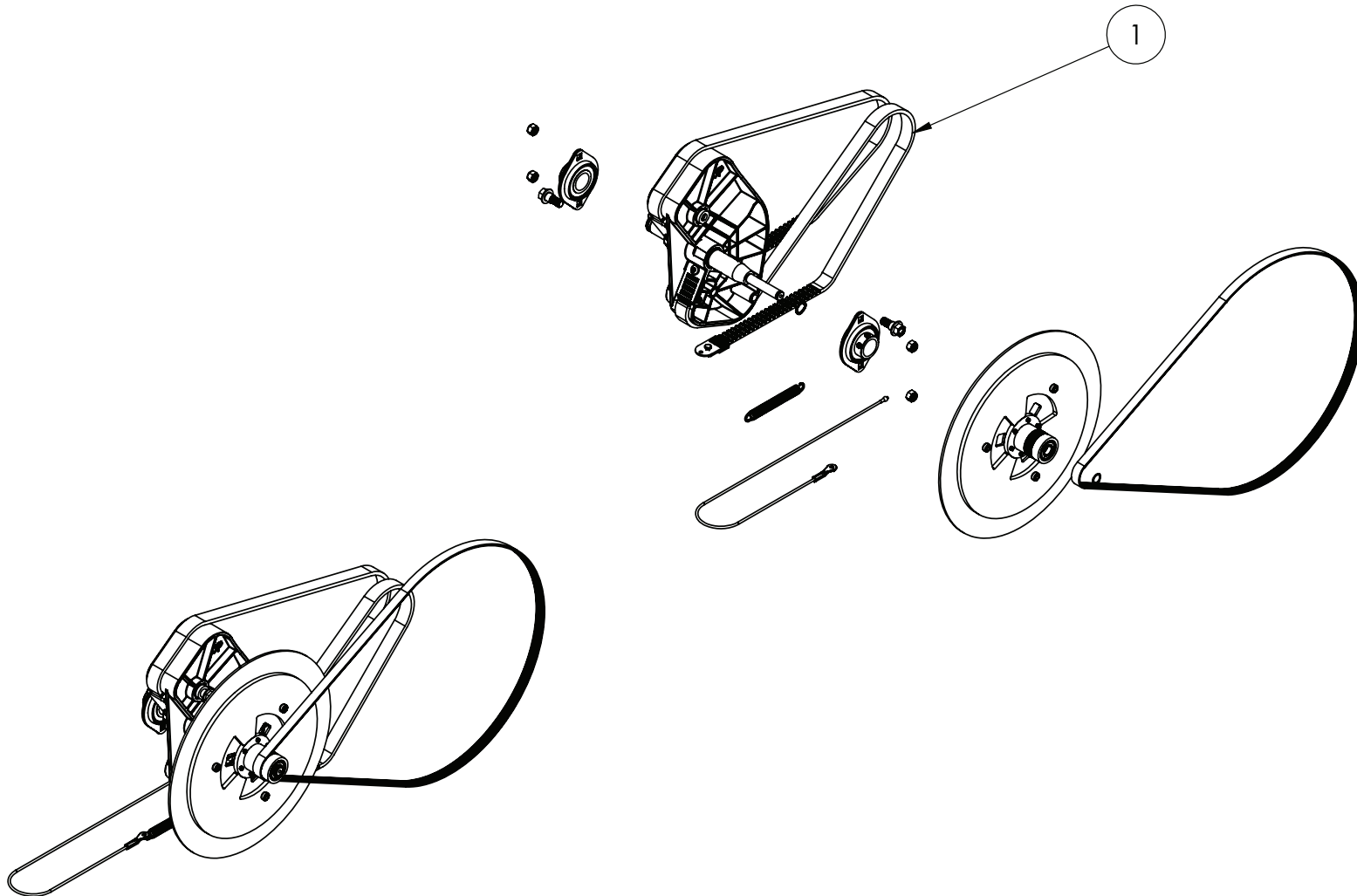
LNP

RELEASE DATE

5/4/26

### Pivot Disk Drivetrain

ITEM NO.	PART NUMBER	DESCRIPTION	QTY.
1	46464	Service Kit - Pivot Disk and EC Disk	1



**SERVICE KITS MAY INCLUDE  
INSTRUCTIONS AND TOOLS**



T4r Parts Manual - Pivot Group

**Pivot Disk and EC Disk**

DWG. NO.

**47651**

REV

**D**

APP

**LNP**

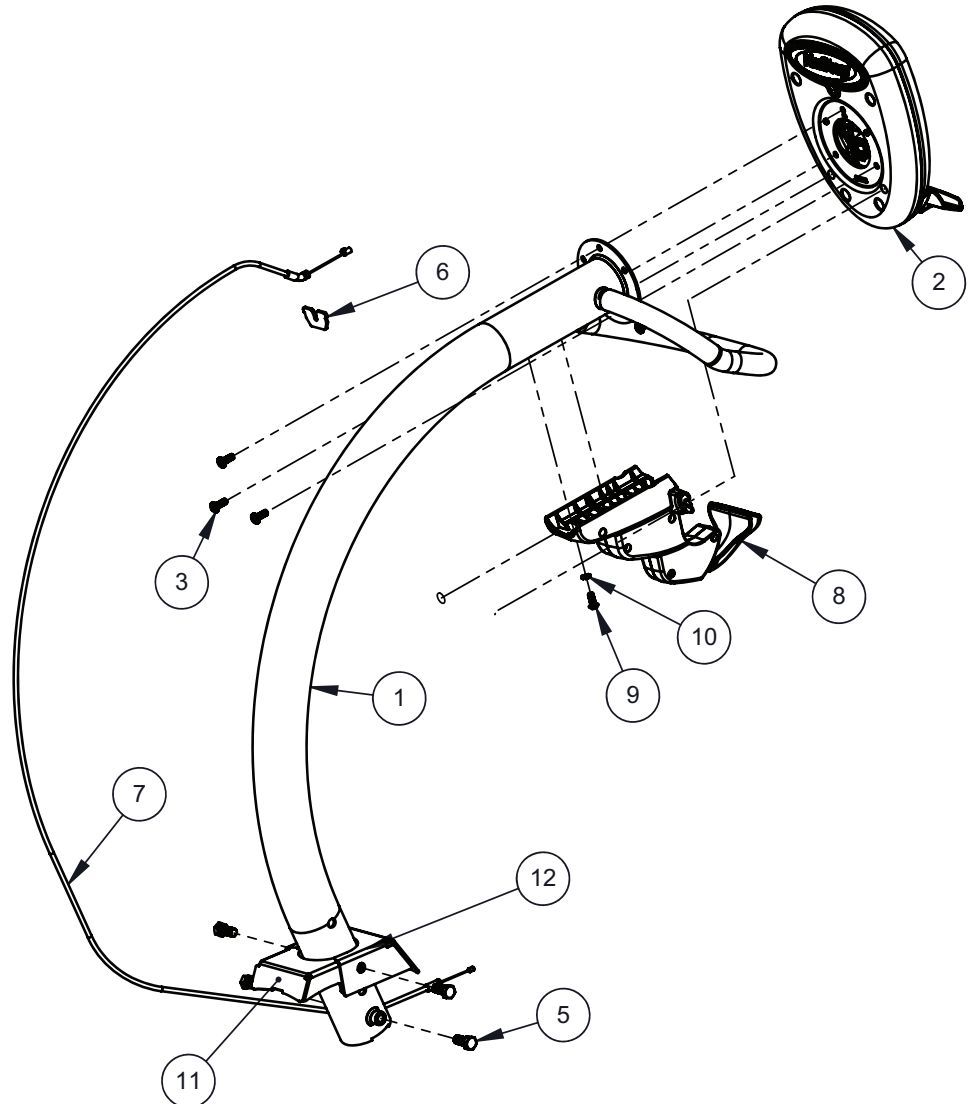
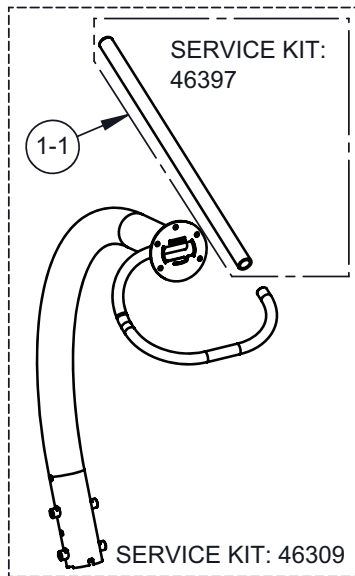
RELEASE DATE

**4/30/26**

## Console And E-tube

FOR UNITS WITH SERIAL NUMBERS  $\geq 511738$

ITEM NO.	PART NO.	DESCRIPTION
1	46309	SERVICE KIT - E-TUBE ASSEMBLY
1-1	46397	SERVICE KIT - GRAB HANDLE GRIP
2	46700	SERVICE KIT - CONSOLE ASSEMBLY (ENGLISH)
-	46702	SERVICE KIT - CONSOLE ASSEMBLY (GERMAN)
-	46703	SERVICE KIT - CONSOLE ASSEMBLY (FRENCH)
-	46704	SERVICE KIT - CONSOLE ASSEMBLY (SPANISH)
-	46705	SERVICE KIT - CONSOLE ASSEMBLY (DUTCH)
-	46706	SERVICE KIT - CONSOLE ASSEMBLY (ITALIAN)
-	46707	SERVICE KIT - CONSOLE ASSEMBLY (JAPANESE)
-	46708	SERVICE KIT - CONSOLE ASSEMBLY (CHINESE)
-	46709	SERVICE KIT - CONSOLE ASSEMBLY (DANISH)
3	45998	SCREW - PH, 1/4-20 x 5/8, 6 LOBE
4	46967	SERVICE KIT - RIBBON CABLE CONSOLE
5	45853	SCREW - HH, 3/8-24 X 7/8
6	45793	CONDUIT - PLATE
7	46772	SERVICE KIT - STRIDE LOCK CABLE ASSEMBLY
8	46760	SERVICE KIT - STRIDE LOCK PUSH LEVER ASSEMBLY
9	45799	SCREW - BHSC, 1/4-20 X 5/8, PATCHED
10	51809	WASHER - SERRATED LOCK, M6
11	45585	Bracket - E Tube Cover Front
12	45586	Bracket - E Tube Cover Rear



SERVICE KITS MAY INCLUDE  
INSTRUCTIONS AND TOOLS



T4r PARTS MANUAL - CONSOLE GROUP

CONSOLE & E-TUBE

DRAWING  
47305

REV  
D

APP  
LNP

RELEASE DATE  
4/16/26





NuStep, LLC.  
47700 Halyard Dr  
Plymouth, MI 48170  
USA  
(800) 322-2209  
support@nustep.com  
www.nustep.com



The information in this manual is the most current at the time of printing. Due to our commitment toward continuous improvement, specifications and descriptions are subject to change without notice. No part of this manual may be reproduced or transmitted in any form or by any means, electronic or mechanical, for any purpose without the express written permission of NuStep, LLC.  
© Copyright November 2017 by NuStep, LLC.

NuStep® and Transforming Lives® are registered trademarks of NuStep, LLC.

Manual PN 47500 NuStep T4r Service Parts Manual, Rev D

# 47500 (DOC-1605) Ver. 1

---

**Approved By:**

[\(CO-309\) T4r Service Parts Manual Updates](#)

**Description**

Update 47500 Service Parts Manual to add Thrust Retainer and other cosmetic changes. Create Service Kit Assemblies 46464 Pivot Axle Assembly and 46463 Rear Axle Assembly.

**Justification**

Addition of Service Kits is to add a commonly serviced assembly and combine several lower level service kits that are frequently shipped together.

Assigned To:	Initiated By:	Priority:	Impact:
Kevin Obrigkeit	Kevin Obrigkeit	High	Minor

---

**Version History:**

Author	Effective Date	CO#	Ver.	Status
Kevin Obrigkeit	May 21, 2026 10:25 AM EDT	<a href="#">CO-309</a>	1	Published
Kevin Obrigkeit	July 21, 2023 1:56 PM EDT	<a href="#">CO-25</a>	0	Superseded